



●FEATURE

1. Low Profile and Compact Size
2. Power supply PWM circuit input / output inductor
3. Power line noise suppression
4. DC-DC Converter
5. Pass CE/FCC purpose
6. Operating Temperature: -40~+125 °C
7. Compliant with AEC-Q200



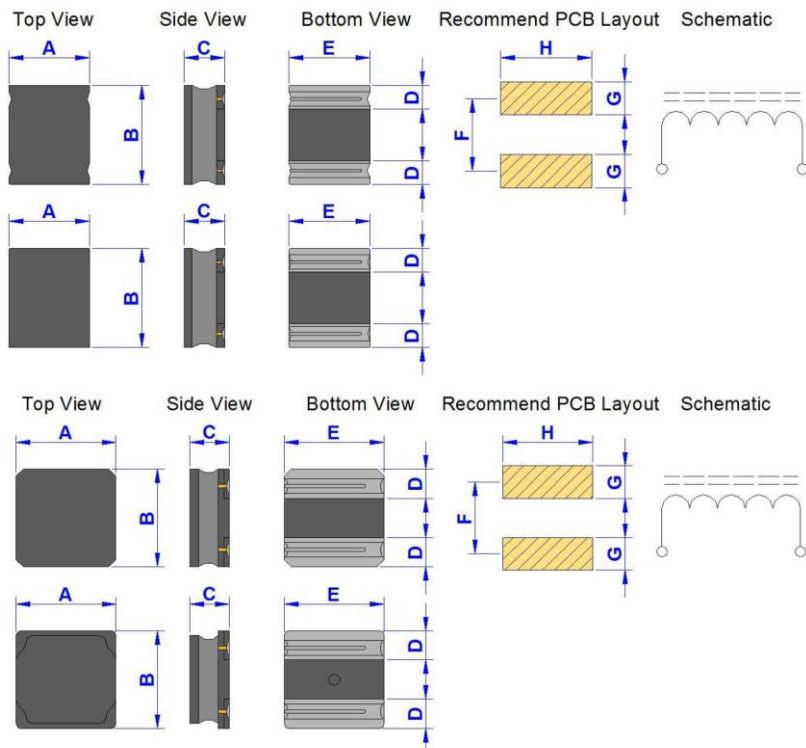
●APPLICATION

TFT, WIFI, Mobile Phone, MP3, PDA, Digital Cameras, TVs, LCD, Laptops, PCs.

●ORDERING INFORMATION

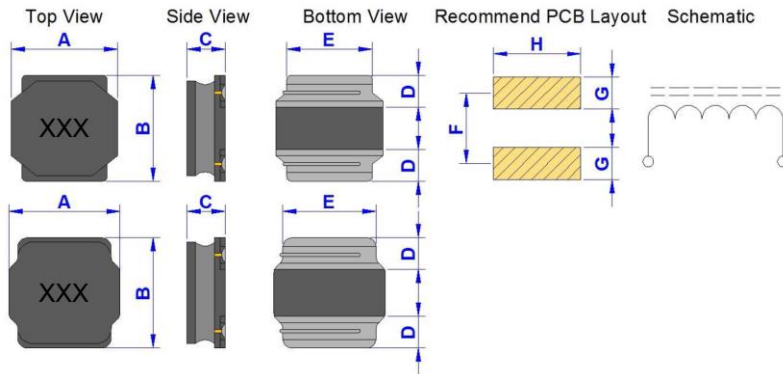
| <u>PIA</u> | <u>4010</u> | <u>U</u> | <u>-1R0</u> | <u>Y</u> | <u>Q</u> |
|------------|---------------------|---------------|---------------|---------------|----------|
| Series | Dimension | Material code | Inductance(L) | Tolerance(T) | AEC-Q |
| | L*W*H = 4.2*4.2*1.0 | (A, C, L) | (uH) | M=±20%,Y=±30% | |

●SHAPE AND DIMENSION



PIA2510
PIA2512

PIA3010
PIA3012
PIA3015



PIA4010
PIA4018
PIA4020
PIA4030
PIA5014
PIA5020
PIA5040
PIA6020
PIA6028
PIA6040
PIA6045
PIA6012

●SPECIFICATION

Unit: mm

| TYPE | A | B | C | D | E | F | G | H |
|------|-----------|-----------|-----------|-----------|-----------|-----------|-----------|-----------|
| 2510 | 2.20 Max. | 2.70 Max. | 1.00 Max. | 0.85 Ref. | 2.00 Ref. | 1.65 Ref. | 0.85 Ref. | 2.00 Ref. |
| 2512 | 2.20 Max. | 2.70 Max. | 1.20 Max. | 0.85 Ref. | 2.10 Ref. | 1.70 Ref. | 0.90 Ref. | 2.10 Ref. |
| 3010 | 3.10 Max. | 3.10 Max. | 1.00 Max. | 0.90 Ref. | 2.70 Ref. | 2.20 Ref. | 1.00 Ref. | 2.70 Ref. |
| 3012 | 3.10 Max. | 3.10 Max. | 1.20 Max. | 0.90 Ref. | 2.70 Ref. | 2.20 Ref. | 1.00 Ref. | 2.70 Ref. |
| 3015 | 3.10 Max. | 3.10 Max. | 1.50 Max. | 0.90 Ref. | 2.70 Ref. | 2.20 Ref. | 1.00 Ref. | 2.70 Ref. |
| 4010 | 4.20 Max. | 4.20 Max. | 1.00 Max. | 1.10 Ref. | 3.50 Ref. | 2.80 Ref. | 1.20 Ref. | 3.70 Ref. |
| 4018 | 4.20 Max. | 4.20 Max. | 1.80 Max. | 1.10 Ref. | 3.50 Ref. | 2.80 Ref. | 1.20 Ref. | 3.70 Ref. |
| 4020 | 4.20 Max. | 4.20 Max. | 2.00 Max. | 1.10 Ref. | 3.50 Ref. | 2.80 Ref. | 1.20 Ref. | 3.70 Ref. |
| 4030 | 4.30 Max. | 4.30 Max. | 3.00 Max. | 1.10 Ref. | 3.30 Ref. | 3.00 Ref. | 1.10 Ref. | 3.70 Ref. |
| 5014 | 5.20 Max. | 5.20 Max. | 1.40 Max. | 1.00 Ref. | 4.80 Ref. | 3.80 Ref. | 1.40 Ref. | 5.00 Ref. |
| 5020 | 5.20 Max. | 5.20 Max. | 2.00 Max. | 1.00 Ref. | 4.80 Ref. | 3.80 Ref. | 1.40 Ref. | 5.00 Ref. |
| 5040 | 5.30 Max. | 5.30 Max. | 4.00 Max. | 1.00 Ref. | 4.80 Ref. | 3.80 Ref. | 1.40 Ref. | 5.00 Ref. |
| 6012 | 6.20 Max. | 6.20 Max. | 1.20 Max. | 1.15 Ref. | 5.10 Ref. | 4.70 Ref. | 1.60 Ref. | 5.70 Ref. |
| 6020 | 6.20 Max. | 6.20 Max. | 2.00 Max. | 1.15 Ref. | 5.10 Ref. | 4.70 Ref. | 1.60 Ref. | 5.70 Ref. |
| 6028 | 6.20 Max. | 6.20 Max. | 2.80 Max. | 1.15 Ref. | 5.10 Ref. | 4.70 Ref. | 1.60 Ref. | 5.70 Ref. |
| 6040 | 6.20 Max. | 6.20 Max. | 4.00 Max. | 1.15 Ref. | 5.10 Ref. | 4.70 Ref. | 1.60 Ref. | 5.70 Ref. |
| 6045 | 6.20 Max. | 6.20 Max. | 4.50 Max. | 1.15 Ref. | 5.10 Ref. | 4.70 Ref. | 1.60 Ref. | 5.70 Ref. |

**●ELECTRICAL CHARACTERISTICS**

| Part Number | Inductance (L) (uH) | Tolerance (T) | RDC (mΩ) Typ. | RDC (mΩ) Max. | Isat (mA) Typ. | Irms (mA) Typ. |
|--------------|------------------------|------------------|------------------|------------------|-------------------|-------------------|
| PIA2510-R47T | 0.47 | M,Y | 40.0 | 48.0 | 2500 | 2650 |
| PIA2510-R68T | 0.68 | M,Y | 52.0 | 64.0 | 2200 | 2200 |
| PIA2510-1R0T | 1.00 | M,Y | 70.0 | 85.0 | 1800 | 1900 |
| PIA2510-1R5T | 1.50 | M,Y | 107.0 | 128.0 | 1500 | 1500 |
| PIA2510-2R2T | 2.20 | M | 150.0 | 185.0 | 1200 | 1200 |
| PIA2510-3R3T | 3.30 | M | 225.0 | 270.0 | 1000 | 1000 |
| PIA2510-4R7T | 4.70 | M | 330.0 | 398.0 | 880 | 820 |
| PIA2510-6R8T | 6.80 | M | 443.0 | 532.0 | 740 | 710 |
| PIA2510-100T | 10.00 | M | 712.0 | 854.0 | 590 | 550 |

* Inductance test Freq.: 1MHz / 0.1V

* T=Tolerance: Y = ±30%, M = ±20%

* The saturation current value (Isat) is the DC current value having inductance decrease 30%. (at 20°C)

* The temperature rise current value (Irms) DC current value having temperature increase up to 40°C (at 20°C)

| Part Number | Inductance (L) (uH) | Tolerance (T) | RDC (mΩ) Typ. | RDC (mΩ) Max. | Isat (mA) Typ. | Irms (mA) Typ. |
|--------------|------------------------|------------------|------------------|------------------|-------------------|-------------------|
| PIA2512-R47T | 0.47 | M,Y | 47.0 | 56.0 | 3700 | 2200 |
| PIA2512-1R0T | 1.00 | M,Y | 73.0 | 88.0 | 2700 | 1800 |
| PIA2512-1R5T | 1.50 | M,Y | 105.0 | 126.0 | 2200 | 1500 |
| PIA2512-2R2T | 2.20 | M | 129.0 | 155.0 | 2000 | 1300 |
| PIA2512-3R3T | 3.30 | M | 227.0 | 272.0 | 1600 | 1000 |
| PIA2512-4R7T | 4.70 | M | 338.0 | 406.0 | 1300 | 810 |
| PIA2512-5R6T | 5.60 | M | 375.0 | 450.0 | 1150 | 720 |
| PIA2512-6R8T | 6.80 | M | 510.0 | 612.0 | 1100 | 660 |
| PIA2512-100T | 10.00 | M | 630.0 | 756.0 | 900 | 590 |

* Inductance test Freq.: 1MHz / 0.1V

* T=Tolerance: Y = ±30%, M = ±20%

* The saturation current value (Isat) is the DC current value having inductance decrease 30%. (at 20°C)

* The temperature rise current value (Irms) DC current value having temperature increase up to 40°C (at 20°C)



| Part Number | Inductance (L) (uH) | Tolerance (T) | RDC (mΩ) Typ. | RDC (mΩ) Max. | Isat (mA) Typ. | Irms (mA) Typ. |
|---------------|------------------------|------------------|------------------|------------------|-------------------|-------------------|
| PIA2512A-R47M | 0.47 | M | 29.0 | 39.0 | 4500 | 3900 |
| PIA2512A-R68M | 0.68 | M | 36.0 | 48.0 | 4200 | 3400 |
| PIA2512A-1R0M | 1.00 | M | 45.0 | 59.0 | 3450 | 3200 |
| PIA2512A-1R5M | 1.50 | M | 60.0 | 72.0 | 2750 | 2600 |
| PIA2512A-1R8M | 1.80 | M | 80.0 | 96.0 | 2550 | 2600 |
| PIA2512A-2R2M | 2.20 | M | 90.0 | 108.0 | 2450 | 2350 |
| PIA2512A-3R3M | 3.30 | M | 120.0 | 140.0 | 2000 | 1800 |
| PIA2512A-4R7M | 4.70 | M | 200.0 | 240.0 | 1700 | 1500 |
| PIA2512A-6R8M | 6.80 | M | 300.0 | 360.0 | 1340 | 1100 |

* Inductance test Freq.: 1MHz / 0.1V

* M=Tolerance= ±20%

* The saturation current value (Isat) is the DC current value having inductance decrease 30%. (at 20°C)

* The temperature rise current value (Irms) DC current value having temperature increase up to 40°C (at 20°C)

| Part Number | Inductance (L) (uH) | Tolerance (T) | RDC (mΩ) Typ. | RDC (mΩ) Max. | Isat (mA) Typ. | Irms (mA) Typ. |
|---------------|------------------------|------------------|------------------|------------------|-------------------|-------------------|
| PIA2512L-R24M | 0.24 | M | 24.0 | 29.0 | 4280 | 3900 |
| PIA2512L-R47M | 0.47 | M | 34.0 | 41.0 | 3200 | 3700 |
| PIA2512L-R68M | 0.68 | M | 42.0 | 51.0 | 2750 | 3300 |
| PIA2512L-1R0M | 1.00 | M | 50.0 | 60.0 | 2550 | 2600 |
| PIA2512L-1R5M | 1.50 | M | 72.0 | 87.0 | 2100 | 2200 |
| PIA2512L-2R2M | 2.20 | M | 96.0 | 116.0 | 2000 | 1850 |
| PIA2512L-3R3M | 3.30 | M | 140.0 | 168.0 | 1450 | 1450 |
| PIA2512L-4R7M | 4.70 | M | 210.0 | 252.0 | 1280 | 1200 |
| PIA2512L-6R8M | 6.80 | M | 406.0 | 487.0 | 850 | 1000 |
| PIA2512L-8R2M | 8.20 | M | 500.0 | 600.0 | 800 | 820 |
| PIA2512L-100M | 10.00 | M | 450.0 | 540.0 | 720 | 750 |
| PIA2512L-220M | 22.00 | M | 1138.0 | 1366.0 | 480 | 500 |

* Inductance test Freq.: 1MHz / 0.1V

* M=Tolerance= ±20%

* The saturation current value (Isat) is the DC current value having inductance decrease 30%. (at 20°C)

* The temperature rise current value (Irms) DC current value having temperature increase up to 40°C (at 20°C)



| Part Number | Inductance (L) (uH) | Tolerance (T) | RDC (mΩ) Typ. | RDC (mΩ) Max. | Isat (mA) Typ. | Irms (mA) Typ. |
|--------------|------------------------|------------------|------------------|------------------|-------------------|-------------------|
| PIA3010-1R0T | 1.00 | M,Y | 65.0 | 78.0 | 1950 | 1700 |
| PIA3010-1R2T | 1.20 | M,Y | 80.0 | 96.0 | 1900 | 1650 |
| PIA3010-1R5T | 1.50 | M,Y | 80.0 | 96.0 | 1600 | 1650 |
| PIA3010-1R8Y | 1.80 | Y | 88.0 | 105.0 | 1520 | 1520 |
| PIA3010-2R2M | 2.20 | M | 95.0 | 114.0 | 1450 | 1450 |
| PIA3010-3R3M | 3.30 | M | 160.0 | 192.0 | 1050 | 1300 |
| PIA3010-4R7M | 4.70 | M | 190.0 | 228.0 | 950 | 1100 |
| PIA3010-6R8M | 6.80 | M | 300.0 | 360.0 | 760 | 850 |
| PIA3010-100M | 10.00 | M | 450.0 | 540.0 | 610 | 720 |
| PIA3010-150M | 15.00 | M | 740.0 | 888.0 | 480 | 560 |
| PIA3010-220M | 22.00 | M | 980.0 | 1176.0 | 420 | 500 |
| PIA3010-330M | 33.00 | M | 1550.0 | 1860.0 | 340 | 415 |
| PIA3010-470M | 47.00 | M | 2000.0 | 2400.0 | 270 | 320 |

* Inductance test Freq.: 1MHz / 0.1V

* T=Tolerance: Y = ±30%, M = ±20%

* The saturation current value (Isat) is the DC current value having inductance decrease 30%. (at 20°C)

* The temperature rise current value (Irms) DC current value having temperature increase up to 40°C (at 20°C)

| Part Number | Inductance (L) (uH) | Tolerance (T) | RDC (mΩ) Typ. | RDC (mΩ) Max. | Isat (mA) Typ. | Irms (mA) Typ. |
|--------------|------------------------|------------------|------------------|------------------|-------------------|-------------------|
| PIA3012-R50M | 0.50 | M | 35.0 | 42.0 | 2800 | 2800 |
| PIA3012-1R0M | 1.00 | M | 43.0 | 52.0 | 2600 | 2500 |
| PIA3012-1R5M | 1.50 | M | 65.0 | 78.0 | 2000 | 1900 |
| PIA3012-2R2M | 2.20 | M | 82.0 | 98.0 | 1900 | 1700 |
| PIA3012-3R3M | 3.30 | M | 100.0 | 120.0 | 1700 | 1500 |
| PIA3012-4R7M | 4.70 | M | 105.0 | 126.0 | 1500 | 1200 |
| PIA3012-6R8M | 6.80 | M | 170.0 | 204.0 | 1200 | 1000 |
| PIA3012-100M | 10.00 | M | 250.0 | 300.0 | 1000 | 800 |
| PIA3012-150M | 15.00 | M | 470.0 | 564.0 | 750 | 650 |
| PIA3012-220M | 22.00 | M | 630.0 | 756.0 | 670 | 550 |
| PIA3012-330M | 33.00 | M | 910.0 | 1092.0 | 550 | 460 |
| PIA3012-470M | 47.00 | M | 1250.0 | 1500.0 | 450 | 350 |

* Inductance test Freq.: 1MHz / 0.1V

* M=Tolerance= ±20%

* The saturation current value (Isat) is the DC current value having inductance decrease 30%. (at 20°C)

* The temperature rise current value (Irms) DC current value having temperature increase up to 40°C (at 20°C)



| Part Number | Inductance (L) (uH) | Tolerance (T) | RDC (mΩ) Typ. | RDC (mΩ) Max. | Isat (mA) Typ. | Irms (mA) Typ. |
|---------------|------------------------|------------------|------------------|------------------|-------------------|-------------------|
| PIA3012C-1R0Y | 1.00 | M | 42.0 | 50.4 | 2500 | 2200 |
| PIA3012C-1R5Y | 1.50 | M | 56.0 | 67.2 | 2000 | 2000 |
| PIA3012C-2R2M | 2.20 | M | 80.0 | 96.0 | 1800 | 1900 |
| PIA3012C-3R3M | 3.30 | M | 100.0 | 120.0 | 1500 | 1700 |
| PIA3012C-4R7M | 4.70 | M | 130.0 | 156.0 | 1300 | 1500 |
| PIA3012C-6R8M | 6.80 | M | 180.0 | 216.0 | 120 | 1200 |
| PIA3012C-100M | 10.00 | M | 245.0 | 294.0 | 900 | 1000 |
| PIA3012C-150M | 15.00 | M | 386.0 | 463.2 | 800 | 900 |
| PIA3012C-220M | 22.00 | M | 580.0 | 696.0 | 600 | 700 |

* Inductance test Freq.: 1MHz / 0.1V

* T=Tolerance: Y = ±30%, M = ±20%

* The saturation current value (Isat) is the DC current value having inductance decrease 30%. (at 20°C)

* The temperature rise current value (Irms) DC current value having temperature increase up to 40°C (at 20°C)

| Part Number | Inductance (L) (uH) | Tolerance (T) | RDC (mΩ) Typ. | RDC (mΩ) Max. | Isat (mA) Typ. | Irms (mA) Typ. |
|--------------|------------------------|------------------|------------------|------------------|-------------------|-------------------|
| PIA3015-1R0T | 1.00 | M,Y | 40.0 | 48.0 | 2350 | 2350 |
| PIA3015-1R5T | 1.50 | M,Y | 55.0 | 66.0 | 2000 | 2100 |
| PIA3015-1R8Y | 1.80 | Y | 60.0 | 72.0 | 1830 | 1950 |
| PIA3015-2R2M | 2.20 | M | 60.0 | 72.0 | 1650 | 1800 |
| PIA3015-3R3M | 3.30 | M | 93.0 | 112.0 | 1400 | 1600 |
| PIA3015-4R7M | 4.70 | M | 113.0 | 136.0 | 1200 | 1400 |
| PIA3015-5R6M | 5.60 | M | 131.0 | 157.0 | 1100 | 1250 |
| PIA3015-6R8M | 6.80 | M | 176.0 | 211.0 | 1050 | 1100 |
| PIA3015-100M | 10.00 | M | 234.0 | 276.0 | 880 | 1000 |
| PIA3015-150M | 15.00 | M | 352.0 | 422.0 | 680 | 800 |
| PIA3015-220M | 22.00 | M | 510.0 | 622.0 | 580 | 600 |
| PIA3015-330M | 33.00 | M | 799.0 | 959.0 | 460 | 500 |
| PIA3015-470M | 47.00 | M | 1172.0 | 1406.0 | 380 | 400 |
| PIA3015-101M | 100.00 | M | 2433.0 | 2920.0 | 270 | 290 |

* Inductance test Freq.: 1MHz / 0.1V

* T=Tolerance: Y = ±30%, M = ±20%

* The saturation current value (Isat) is the DC current value having inductance decrease 30%. (at 20°C)

* The temperature rise current value (Irms) DC current value having temperature increase up to 40°C (at 20°C)



| Part Number | Inductance (L) (uH) | Tolerance (T) | RDC (mΩ) Typ. | RDC (mΩ) Max. | Isat (mA) Typ. | Irms (mA) Typ. |
|---------------|------------------------|------------------|------------------|------------------|-------------------|-------------------|
| PIA3015C-1R0Y | 1.00 | Y | 30.0 | 36.0 | 2200 | 2200 |
| PIA3015C-1R5Y | 1.50 | Y | 40.0 | 48.0 | 2000 | 2000 |
| PIA3015C-2R2M | 2.20 | M | 60.0 | 72.0 | 1700 | 1700 |
| PIA3015C-3R3M | 3.30 | M | 80.0 | 96.0 | 1400 | 1400 |
| PIA3015C-4R7M | 4.70 | M | 120.0 | 144.0 | 1200 | 1200 |
| PIA3015C-6R8M | 6.80 | M | 160.0 | 192.0 | 1000 | 1000 |
| PIA3015C-100M | 10.00 | M | 220.0 | 264.0 | 750 | 700 |
| PIA3015C-150M | 15.00 | M | 320.0 | 360.0 | 650 | 600 |
| PIA3015C-220M | 22.00 | M | 460.0 | 552.0 | 550 | 500 |
| PIA3015C-330M | 33.00 | M | 800.0 | 960.0 | 400 | 450 |
| PIA3015C-470M | 47.00 | M | 1200.0 | 1440.0 | 350 | 300 |

* Inductance test Freq.: 1MHz / 0.1V

* T=Tolerance: Y = ±30%, M = ±20%

* The saturation current value (Isat) is the DC current value having inductance decrease 30%. (at 20°C)

* The temperature rise current value (Irms) DC current value having temperature increase up to 40°C (at 20°C)

| Part Number | Inductance (L) (uH) | Tolerance (T) | RDC (mΩ) Typ. | RDC (mΩ) Max. | Isat (mA) Typ. | Irms (mA) Typ. |
|--------------|------------------------|------------------|------------------|------------------|-------------------|-------------------|
| PIA4010-1R0Y | 1.00 | Y | 100.0 | 120.0 | 1800 | 1050 |
| PIA4010-2R2Y | 2.20 | Y | 150.0 | 180.0 | 1150 | 890 |
| PIA4010-3R3M | 3.30 | M | 180.0 | 216.0 | 1100 | 820 |
| PIA4010-4R7M | 4.70 | M | 210.0 | 252.0 | 900 | 750 |
| PIA4010-6R8M | 6.80 | M | 300.0 | 360.0 | 740 | 620 |
| PIA4010-100M | 10.00 | M | 380.0 | 456.0 | 560 | 600 |
| PIA4010-150M | 15.00 | M | 510.0 | 612.0 | 470 | 510 |
| PIA4010-220M | 22.00 | M | 870.0 | 1044.0 | 360 | 400 |
| PIA4010-330M | 33.00 | M | 1540.0 | 1848.0 | 280 | 300 |
| PIA4010-470M | 47.00 | M | 1810.0 | 2172.0 | 240 | 280 |

* Inductance test Freq.: 100KHz / 0.1V

* T=Tolerance: Y = ±30%, M = ±20%

* The saturation current value (Isat) is the DC current value having inductance decrease 30%. (at 20°C)

* The temperature rise current value (Irms) DC current value having temperature increase up to 40°C (at 20°C)



| Part Number | Inductance (L) (uH) | Tolerance (T) | RDC (mΩ) Typ. | RDC (mΩ) Max. | Isat (mA) Typ. | Irms (mA) Typ. |
|--------------|------------------------|------------------|------------------|------------------|-------------------|-------------------|
| PIA4018-R56Y | 0.56 | Y | 22.0 | 30.0 | 4500 | 2200 |
| PIA4018-1R0Y | 1.00 | Y | 31.5 | 42.0 | 3700 | 1850 |
| PIA4018-1R2Y | 1.20 | Y | 31.5 | 42.0 | 3700 | 1850 |
| PIA4018-1R5Y | 1.50 | Y | 40.0 | 48.0 | 3500 | 1700 |
| PIA4018-2R2M | 2.20 | M | 60.0 | 72.0 | 2700 | 1440 |
| PIA4018-3R3M | 3.30 | M | 72.0 | 86.0 | 2200 | 1230 |
| PIA4018-4R7M | 4.70 | M | 80.0 | 96.0 | 1700 | 1200 |
| PIA4018-6R8M | 6.80 | M | 110.0 | 132.0 | 1450 | 1060 |
| PIA4018-100M | 10.00 | M | 180.0 | 216.0 | 1200 | 840 |
| PIA4018-150M | 15.00 | M | 250.0 | 300.0 | 940 | 650 |
| PIA4018-220M | 22.00 | M | 360.0 | 432.0 | 800 | 590 |
| PIA4018-330M | 33.00 | M | 530.0 | 636.0 | 650 | 490 |
| PIA4018-470M | 47.00 | M | 650.0 | 780.0 | 570 | 420 |
| PIA4018-680M | 68.00 | M | 1000.0 | 1200.0 | 470 | 320 |
| PIA4018-101M | 100.00 | M | 1500.0 | 1800.0 | 400 | 270 |
| PIA4018-151M | 150.00 | M | 2500.0 | 3000.0 | 310 | 220 |
| PIA4018-221M | 220.00 | M | 4000.0 | 4800.0 | 270 | 170 |

* Inductance test Freq.: 100KHz / 0.1V

* T=Tolerance: Y = $\pm 30\%$, M = $\pm 20\%$

* The saturation current value (Isat) is the DC current value having inductance decrease 30%. (at 20°C)

* The temperature rise current value (Irms) DC current value having temperature increase up to 40°C (at 20°C)



| Part Number | Inductance (L) (uH) | Tolerance (T) | RDC (mΩ) Typ. | RDC (mΩ) Max. | Isat (mA) Typ. | Irms (mA) Typ. |
|---------------|------------------------|------------------|------------------|------------------|-------------------|-------------------|
| PIA4018L-R56M | 0.56 | M | 17.0 | 22.0 | 5500 | 5400 |
| PIA4018L-1R0M | 1.00 | M | 20.0 | 25.0 | 3800 | 3800 |
| PIA4018L-1R2M | 1.20 | M | 25.0 | 30.0 | 3600 | 3600 |
| PIA4018L-1R5M | 1.50 | M | 33.0 | 40.0 | 3500 | 3200 |
| PIA4018L-1R8M | 1.80 | M | 34.0 | 41.0 | 3100 | 3100 |
| PIA4018L-2R2M | 2.20 | M | 35.0 | 45.0 | 3000 | 3000 |
| PIA4018L-3R3M | 3.30 | M | 45.0 | 56.0 | 2400 | 2700 |
| PIA4018L-4R7M | 4.70 | M | 70.0 | 90.0 | 2000 | 2200 |
| PIA4018L-6R8M | 6.80 | M | 90.0 | 115.0 | 1700 | 1900 |
| PIA4018L-8R2M | 8.20 | M | 105.0 | 132.0 | 1600 | 1500 |
| PIA4018L-100M | 10.00 | M | 135.0 | 170.0 | 1550 | 1400 |
| PIA4018L-150M | 15.00 | M | 185.0 | 222.0 | 1000 | 1250 |
| PIA4018L-220M | 22.00 | M | 250.0 | 315.0 | 830 | 1200 |
| PIA4018L-330M | 33.00 | M | 405.0 | 486.0 | 680 | 900 |
| PIA4018L-470M | 47.00 | M | 495.0 | 594.0 | 560 | 800 |
| PIA4018L-680M | 68.00 | M | 885.0 | 1062.0 | 480 | 580 |
| PIA4018L-101M | 100.00 | M | 1545.0 | 1854.0 | 450 | 420 |
| PIA4018L-221M | 220.00 | M | 3150.0 | 3780.0 | 330 | 300 |
| PIA4018L-331M | 330.00 | M | 4200.0 | 5040.0 | 250 | 270 |

* Inductance test Freq.: 100KHz / 0.1V

* M=Tolerance= ±20%

* The saturation current value (Isat) is the DC current value having inductance decrease 30%. (at 20°C)

* The temperature rise current value (Irms) DC current value having temperature increase up to 40°C (at 20°C)



| Part Number | Inductance (uH) | Tolerance (T) | RDC (mΩ) Typ. | RDC (mΩ) Max. | Isat (mA) Typ. | Irms (mA) Typ. |
|--------------|--------------------|------------------|------------------|------------------|-------------------|-------------------|
| PIA4020-1R0Y | 1.00 | Y | 32.0 | 38.4 | 4100 | 2800 |
| PIA4020-1R2Y | 1.20 | Y | 32.0 | 38.4 | 4000 | 2700 |
| PIA4020-2R2Y | 2.20 | Y | 60.0 | 72.0 | 2800 | 2500 |
| PIA4020-3R3T | 3.30 | M,Y | 70.0 | 84.0 | 2200 | 2100 |
| PIA4020-4R7T | 4.70 | M,Y | 90.0 | 108.0 | 2000 | 1700 |
| PIA4020-6R8M | 6.80 | M | 110.0 | 132.0 | 1600 | 1500 |
| PIA4020-100M | 10.00 | M | 170.0 | 204.0 | 1400 | 1200 |
| PIA4020-150M | 15.00 | M | 250.0 | 300.0 | 1000 | 1000 |
| PIA4020-220M | 22.00 | M | 350.0 | 420.0 | 900 | 850 |
| PIA4020-330M | 33.00 | M | 530.0 | 636.0 | 800 | 700 |
| PIA4020-470M | 47.00 | M | 720.0 | 864.0 | 700 | 560 |
| PIA4020-680M | 68.00 | M | 1000.0 | 1200.0 | 560 | 450 |
| PIA4020-101M | 100.00 | M | 1500.0 | 1800.0 | 460 | 380 |
| PIA4020-151M | 150.00 | M | 2500.0 | 3000.0 | 350 | 300 |
| PIA4020-221M | 220.00 | M | 4000.0 | 4800.0 | 280 | 230 |

* Inductance test Freq.: 100KHz / 0.1V

* T=Tolerance: Y = ±30%, M = ±20%

* The saturation current value (Isat) is the DC current value having inductance decrease 30%. (at 20°C)

* The temperature rise current value (Irms) DC current value having temperature increase up to 40°C (at 20°C)



| Part Number | Inductance (L) (uH) | Tolerance (T) | RDC (mΩ) Typ. | RDC (mΩ) Max. | Isat (mA) Typ. | Irms (mA) Typ. |
|--------------|------------------------|------------------|------------------|------------------|-------------------|-------------------|
| PIA4030-1R0Y | 1.00 | Y | 15.0 | 19.5 | 5900 | 3400 |
| PIA4030-1R5Y | 1.50 | Y | 25.0 | 32.5 | 4850 | 3300 |
| PIA4030-2R2M | 2.20 | M | 35.0 | 45.5 | 4100 | 2950 |
| PIA4030-3R3M | 3.30 | M | 40.0 | 52.0 | 3300 | 2400 |
| PIA4030-3R9M | 3.90 | M | 57.0 | 74.1 | 3000 | 2100 |
| PIA4030-4R7M | 4.70 | M | 60.0 | 78.0 | 2900 | 2000 |
| PIA4030-5R6M | 5.60 | M | 70.0 | 91.0 | 2750 | 1950 |
| PIA4030-6R8M | 6.80 | M | 75.0 | 97.5 | 2600 | 1700 |
| PIA4030-7R5M | 7.50 | M | 90.0 | 117.0 | 2200 | 1650 |
| PIA4030-8R2M | 8.20 | M | 100.0 | 130.0 | 2100 | 1600 |
| PIA4030-100M | 10.00 | M | 115.0 | 149.5 | 1950 | 1500 |
| PIA4030-120M | 12.00 | M | 140.0 | 182.0 | 1700 | 1350 |
| PIA4030-150M | 15.00 | M | 190.0 | 247.0 | 1650 | 1150 |
| PIA4030-180M | 18.00 | M | 215.0 | 279.5 | 1400 | 1100 |
| PIA4030-220M | 22.00 | M | 225.0 | 292.5 | 1300 | 1000 |
| PIA4030-330M | 33.00 | M | 330.0 | 429.0 | 1100 | 840 |
| PIA4030-470M | 47.00 | M | 500.0 | 650.0 | 900 | 720 |
| PIA4030-560M | 56.00 | M | 560.0 | 728.0 | 850 | 650 |
| PIA4030-680M | 68.00 | M | 750.0 | 975.0 | 750 | 550 |
| PIA4030-820M | 82.00 | M | 950.0 | 1235.0 | 680 | 500 |
| PIA4030-101M | 100.00 | M | 1150.0 | 1495.0 | 600 | 450 |
| PIA4030-151M | 150.00 | M | 2350.0 | 3055.0 | 500 | 350 |

* Inductance test Freq.: 100KHz / 0.1V

* T=Tolerance: Y = $\pm 30\%$, M = $\pm 20\%$

* The saturation current value (Isat) is the DC current value having inductance decrease 30%. (at 20°C)

* The temperature rise current value (Irms) DC current value having temperature increase up to 40°C (at 20°C)



| Part Number | Inductance (L) (uH) | Tolerance (T) | RDC (mΩ) Typ. | RDC (mΩ) Max. | Isat (mA) Typ. | Irms (mA) Typ. |
|--------------|------------------------|------------------|------------------|------------------|-------------------|-------------------|
| PIA5014-1R0Y | 1.00 | Y | 45.0 | 54.0 | 3800 | 2400 |
| PIA5014-1R2Y | 1.20 | Y | 45.0 | 54.0 | 3800 | 2400 |
| PIA5014-1R5M | 1.50 | M | 55.0 | 71.5 | 3000 | 2100 |
| PIA5014-2R2Y | 2.20 | Y | 65.0 | 78.0 | 2800 | 2000 |
| PIA5014-3R3Y | 3.30 | Y | 80.0 | 96.0 | 2350 | 1700 |
| PIA5014-4R7Y | 4.70 | Y | 100.0 | 120.0 | 2050 | 1400 |
| PIA5014-6R8M | 6.80 | M | 150.0 | 180.0 | 1600 | 1200 |
| PIA5014-100M | 10.00 | M | 200.0 | 240.0 | 1400 | 1050 |

* Inductance test Freq.: 100KHz / 0.1V

* T=Tolerance: Y = ±30%, M = ±20%

* The saturation current value (Isat) is the DC current value having inductance decrease 30%. (at 20°C)

* The temperature rise current value (Irms) DC current value having temperature increase up to 40°C (at 20°C)

| Part Number | Inductance (L) (uH) | Tolerance (T) | RDC (mΩ) Typ. | RDC (mΩ) Max. | Isat (mA) Typ. | Irms (mA) Typ. |
|--------------|------------------------|------------------|------------------|------------------|-------------------|-------------------|
| PIA5020-R68Y | 0.68 | Y | 14.2 | 18.2 | 5000 | 4000 |
| PIA5020-1R0Y | 1.00 | Y | 18.5 | 21.0 | 4400 | 3600 |
| PIA5020-1R5Y | 1.50 | Y | 22.5 | 26.0 | 3500 | 3200 |
| PIA5020-2R0Y | 2.00 | Y | 27.0 | 35.0 | 3200 | 2900 |
| PIA5020-2R2Y | 2.20 | Y | 27.0 | 35.0 | 3000 | 2900 |
| PIA5020-3R3M | 3.30 | M | 40.0 | 48.0 | 2600 | 2400 |
| PIA5020-4R7M | 4.70 | M | 55.0 | 60.0 | 2000 | 2000 |
| PIA5020-6R8M | 6.80 | M | 80.0 | 90.0 | 1600 | 1650 |
| PIA5020-100M | 10.00 | M | 105.0 | 120.0 | 1300 | 1450 |
| PIA5020-150M | 15.00 | M | 148.0 | 165.0 | 1100 | 1200 |
| PIA5020-220M | 22.00 | M | 220.0 | 260.0 | 900 | 1000 |
| PIA5020-330M | 33.00 | M | 340.0 | 380.0 | 800 | 760 |
| PIA5020-470M | 47.00 | M | 590.0 | 760.0 | 600 | 580 |

* Inductance test Freq.: 100KHz / 0.1V

* T=Tolerance: Y = ±30%, M = ±20%

* The saturation current value (Isat) is the DC current value having inductance decrease 30%. (at 20°C)

* The temperature rise current value (Irms) DC current value having temperature increase up to 40°C (at 20°C)



| Part Number | Inductance (L) (uH) | Tolerance (T) | RDC (mΩ) Typ. | RDC (mΩ) Max. | Isat (mA) Typ. | Irms (mA) Typ. |
|--------------|------------------------|------------------|------------------|------------------|-------------------|-------------------|
| PIA5040-1R5Y | 1.50 | Y | 20.0 | 26.0 | 6000 | 3600 |
| PIA5040-2R2Y | 2.20 | Y | 22.0 | 28.6 | 4600 | 3500 |
| PIA5040-3R3T | 3.30 | M,Y | 27.0 | 35.1 | 3800 | 3300 |
| PIA5040-3R6Y | 3.60 | Y | 27.0 | 35.1 | 3720 | 3200 |
| PIA5040-4R7M | 4.70 | M | 29.0 | 37.7 | 3300 | 3100 |
| PIA5040-6R8M | 6.80 | M | 49.0 | 63.7 | 2600 | 2300 |
| PIA5040-100M | 10.00 | M | 56.0 | 72.8 | 2300 | 2100 |
| PIA5040-150M | 15.00 | M | 80.0 | 104.0 | 2000 | 1800 |
| PIA5040-220M | 22.00 | M | 126.0 | 163.8 | 1600 | 1400 |
| PIA5040-330M | 33.00 | M | 180.0 | 234.0 | 1300 | 1200 |
| PIA5040-470M | 47.00 | M | 310.0 | 403.0 | 1100 | 900 |
| PIA5040-102M | 1000.00 | M | 6500.0 | 8450.0 | 210 | 190 |

* Inductance test Freq.: 100KHz / 0.1V

* T=Tolerance: Y = ±30%, M = ±20%

* The saturation current value (Isat) is the DC current value having inductance decrease 30%. (at 20°C)

* The temperature rise current value (Irms) DC current value having temperature increase up to 40°C (at 20°C)

| Part Number | Inductance (L) (uH) | Tolerance (T) | RDC (mΩ) Typ. | RDC (mΩ) Max. | Isat (mA) Typ. | Irms (mA) Typ. |
|--------------|------------------------|------------------|------------------|------------------|-------------------|-------------------|
| PIA6012-1R0Y | 1.00 | Y | 50.0 | 65.0 | 2800 | 2300 |
| PIA6012-1R5Y | 1.50 | Y | 65.0 | 85.0 | 2400 | 2000 |
| PIA6012-2R2Y | 2.20 | Y | 75.0 | 100.0 | 2200 | 1800 |
| PIA6012-2R5Y | 2.50 | Y | 90.0 | 108.0 | 2100 | 1730 |
| PIA6012-3R3M | 3.30 | M | 100.0 | 120.0 | 2000 | 1640 |
| PIA6012-4R0Y | 4.00 | Y | 105.0 | 126.0 | 1800 | 1570 |
| PIA6012-4R7Y | 4.70 | Y | 110.0 | 145.0 | 1600 | 1450 |
| PIA6012-5R3M | 5.30 | M | 115.0 | 150.0 | 1500 | 1400 |
| PIA6012-6R8M | 6.80 | M | 165.0 | 198.0 | 1300 | 1180 |
| PIA6012-100M | 10.00 | M | 235.0 | 282.0 | 1000 | 1000 |
| PIA6012-150M | 15.00 | M | 330.0 | 396.0 | 800 | 790 |
| PIA6012-220M | 22.00 | M | 530.0 | 636.0 | 760 | 630 |
| PIA6012-330M | 33.00 | M | 700.0 | 840.0 | 590 | 530 |
| PIA6012-470M | 47.00 | M | 1050.0 | 1260.0 | 520 | 460 |
| PIA6012-680M | 68.00 | M | 1350.0 | 1620.0 | 440 | 410 |
| PIA6012-101M | 100.00 | M | 2180.0 | 2616.0 | 350 | 320 |

* Inductance test Freq.: 100KHz / 0.1V

* T=Tolerance: Y = ±30%, M = ±20%

* The saturation current value (Isat) is the DC current value having inductance decrease 30%. (at 20°C)

* The temperature rise current value (Irms) DC current value having temperature increase up to 40°C (at 20°C)



| Part Number | Inductance (L) (uH) | Tolerance (T) | RDC (mΩ) Typ. | RDC (mΩ) Max. | Isat (mA) Typ. | Irms (mA) Typ. |
|--------------|------------------------|------------------|------------------|------------------|-------------------|-------------------|
| PIA6020-R80Y | 0.8 | Y | 16.0 | 21.0 | 4500 | 5100 |
| PIA6020-1R0Y | 1.0 | Y | 21.0 | 27.3 | 4200 | 4000 |
| PIA6020-1R5T | 1.5 | M,Y | 26.0 | 33.8 | 4000 | 3200 |
| PIA6020-2R2Y | 2.2 | Y | 34.0 | 44.2 | 3200 | 2700 |
| PIA6020-3R3M | 3.3 | M | 40.0 | 52.0 | 2800 | 2600 |
| PIA6020-4R7Y | 4.7 | Y | 48.0 | 62.4 | 2400 | 2000 |
| PIA6020-6R8M | 6.8 | M | 85.0 | 110.5 | 2000 | 1800 |
| PIA6020-100M | 10.0 | M | 125.0 | 162.5 | 1700 | 1400 |
| PIA6020-220M | 22.0 | M | 220.0 | 290.0 | 1050 | 900 |
| PIA6020-330M | 33.0 | M | 260.0 | 450.0 | 900 | 800 |
| PIA6020-470M | 47.0 | M | 430.0 | 560.0 | 850 | 650 |

* Inductance test Freq.: 100KHz / 0.1V

* T=Tolerance: Y = ±30%, M = ±20%

* The saturation current value (Isat) is the DC current value having inductance decrease 30%. (at 20°C)

* The temperature rise current value (Irms) DC current value having temperature increase up to 40°C (at 20°C)

| Part Number | Inductance (L) (uH) | Tolerance (T) | RDC (mΩ) Typ. | RDC (mΩ) Max. | Isat (mA) Typ. | Irms (mA) Typ. |
|--------------|------------------------|------------------|------------------|------------------|-------------------|-------------------|
| PIA6028-R90Y | 0.90 | Y | 13.0 | 16.9 | 6600 | 4600 |
| PIA6028-1R5Y | 1.50 | Y | 16.0 | 20.8 | 5000 | 4200 |
| PIA6028-2R2Y | 2.20 | Y | 20.0 | 26.0 | 4200 | 3700 |
| PIA6028-3R0Y | 3.00 | Y | 23.0 | 29.9 | 3600 | 3400 |
| PIA6028-4R7M | 4.70 | M | 31.0 | 40.3 | 2700 | 3000 |
| PIA6028-6R0M | 6.00 | M | 40.0 | 52.0 | 2500 | 2500 |
| PIA6028-100M | 10.00 | M | 65.0 | 84.5 | 1900 | 1900 |
| PIA6028-150M | 15.00 | M | 95.0 | 123.5 | 1600 | 1800 |
| PIA6028-220M | 22.00 | M | 135.0 | 175.5 | 1300 | 1400 |
| PIA6028-330M | 33.00 | M | 220.0 | 286.0 | 1100 | 1100 |
| PIA6028-470M | 47.00 | M | 300.0 | 390.0 | 950 | 920 |
| PIA6028-680M | 68.00 | M | 420.0 | 546.0 | 760 | 770 |
| PIA6028-101M | 100.00 | M | 600.0 | 780.0 | 620 | 660 |

* Inductance test Freq.: 100KHz / 0.1V

* T=Tolerance: Y = ±30%, M = ±20%

* The saturation current value (Isat) is the DC current value having inductance decrease 30%. (at 20°C)

* The temperature rise current value (Irms) DC current value having temperature increase up to 40°C (at 20°C)



| Part Number | Inductance (μ H) | Tolerance (T) | RDC ($m\Omega$) Typ. | RDC ($m\Omega$) Max. | Isat (mA) Typ. | Irms (mA) Typ. |
|--------------|--------------------------|------------------|---------------------------|---------------------------|-------------------|-------------------|
| PIA6040-2R2M | 2.20 | M | 15.0 | 18.0 | 7000 | 5900 |
| PIA6040-4R7M | 4.70 | M | 23.0 | 29.0 | 4700 | 4200 |
| PIA6040-6R8M | 6.80 | M | 32.0 | 40.0 | 3700 | 3300 |
| PIA6040-8R2M | 8.20 | M | 39.0 | 47.0 | 3300 | 2970 |
| PIA6040-100M | 10.00 | M | 40.0 | 50.0 | 3200 | 2800 |
| PIA6040-120M | 12.00 | M | 55.0 | 69.0 | 2800 | 2500 |
| PIA6040-150M | 15.00 | M | 70.0 | 88.0 | 2500 | 2200 |
| PIA6040-220M | 22.00 | M | 98.0 | 122.0 | 2000 | 1800 |
| PIA6040-330M | 33.00 | M | 137.0 | 172.0 | 1700 | 1500 |
| PIA6040-470M | 47.00 | M | 200.0 | 250.0 | 1400 | 1200 |
| PIA6040-560M | 56.00 | M | 245.0 | 306.0 | 1300 | 1150 |
| PIA6040-680M | 68.00 | M | 289.0 | 362.0 | 1200 | 1100 |
| PIA6040-101M | 100.00 | M | 425.0 | 532.0 | 1000 | 900 |
| PIA6040-121M | 120.00 | M | 484.0 | 605.0 | 920 | 820 |
| PIA6040-151M | 150.00 | M | 580.0 | 725.0 | 840 | 750 |
| PIA6040-221M | 220.00 | M | 834.0 | 1043.0 | 710 | 640 |
| PIA6040-331M | 330.00 | M | 1270.0 | 1580.0 | 580 | 520 |

* Inductance test Freq.: 100KHz / 0.1V

* M=Tolerance= \pm 20%

* The saturation current value (Isat) is the DC current value having inductance decrease 30%. (at 20°C)

* The temperature rise current value (Irms) DC current value having temperature increase up to 40°C (at 20°C)



| Part Number | Inductance (L) (uH) | Tolerance (T) | RDC (mΩ) Typ. | RDC (mΩ) Max. | Isat (mA) Typ. | Irms (mA) Typ. |
|--------------|------------------------|------------------|------------------|------------------|-------------------|-------------------|
| PIA6045-R82T | 0.82 | Y | 8.0 | 10.4 | 10350 | 4500 |
| PIA6045-1R0T | 1.00 | Y | 14.0 | 18.2 | 8500 | 4200 |
| PIA6045-1R3T | 1.30 | Y | 16.0 | 20.8 | 8000 | 4000 |
| PIA6045-1R8T | 1.80 | Y | 18.0 | 23.4 | 7000 | 3700 |
| PIA6045-2R2T | 2.20 | M,Y | 21.0 | 27.3 | 6000 | 3500 |
| PIA6045-2R3T | 2.30 | Y | 21.0 | 27.3 | 6000 | 3500 |
| PIA6045-3R0T | 3.00 | Y | 24.0 | 31.2 | 5000 | 3200 |
| PIA6045-3R3T | 3.30 | Y | 24.0 | 31.2 | 4500 | 3200 |
| PIA6045-4R5T | 4.50 | M | 31.0 | 40.3 | 4000 | 3000 |
| PIA6045-4R7T | 4.70 | M | 31.0 | 40.3 | 4000 | 3000 |
| PIA6045-6R3T | 6.30 | M | 38.0 | 49.4 | 3800 | 2800 |
| PIA6045-6R8T | 6.80 | M | 36.0 | 46.9 | 3500 | 2600 |
| PIA6045-100T | 10.00 | M | 47.0 | 61.1 | 3000 | 2500 |
| PIA6045-150T | 15.00 | M | 77.0 | 100.1 | 2300 | 1900 |
| PIA6045-220T | 22.00 | M | 115.0 | 149.5 | 1900 | 1500 |
| PIA6045-330T | 33.00 | M | 145.0 | 188.5 | 1500 | 1400 |
| PIA6045-470T | 47.00 | M | 220.0 | 286.0 | 1300 | 1100 |
| PIA6045-680T | 68.00 | M | 330.0 | 429.0 | 1000 | 900 |
| PIA6045-101T | 100.00 | M | 500.0 | 650.0 | 800 | 700 |

* Inductance test Freq.: 100KHz / 0.1V

* T=Tolerance: Y = ±30%, M = ±20%

* The saturation current value (Isat) is the DC current value having inductance decrease 30%. (at 20°C)

* The temperature rise current value (Irms) DC current value having temperature increase up to 40°C (at 20°C)



● **RELIABILITY**

| Test Item | Test Condition | Specification | | | | | | | | | | | | |
|--------------------------------------|--|---|----------|------|------|--------------|--------|------|--------------|--------|------|--------------|--------|---|
| Dimension | Actual Size ... | Meet Spec | | | | | | | | | | | | |
| Thermal Shock (Temperature Cycle) | Temperature: -40 ~ +125°C kept stabilized for 30 min. each Cycle: 100 Cycles (power off) | Elec. no variation Appearance no deformation | | | | | | | | | | | | |
| Humidity Resistance | Humidity: 90% ~ 95% RH Temperature: 60 ± 2°C Test Time: 96 ± 2 Hours | Elec. no variation Appearance no deformation | | | | | | | | | | | | |
| High Temperature | Temperature: 125 ± 2°C Testing Time: 96 ± 2 Hours | Elec. no variation Appearance no deformation | | | | | | | | | | | | |
| Low Temperature | Temperature: -40 ± 2°C Time: 96 ± 2 Hours | Elec. no variation Appearance no deformation | | | | | | | | | | | | |
| Temperature and Humidity Cycle | <table border="1"> <thead> <tr> <th>Temperature</th> <th>Humidity</th> <th>Time</th> </tr> </thead> <tbody> <tr> <td>25°C</td> <td>90% ~ 95% RH</td> <td>3.0 Hr</td> </tr> <tr> <td>55°C</td> <td>95% ~ 96% RH</td> <td>5.0 Hr</td> </tr> <tr> <td>25°C</td> <td>90% ~ 95% RH</td> <td>3.0 Hr</td> </tr> </tbody> </table> | Temperature | Humidity | Time | 25°C | 90% ~ 95% RH | 3.0 Hr | 55°C | 95% ~ 96% RH | 5.0 Hr | 25°C | 90% ~ 95% RH | 3.0 Hr | Elec. no variation Appearance no deformation |
| | Temperature | Humidity | Time | | | | | | | | | | | |
| | 25°C | 90% ~ 95% RH | 3.0 Hr | | | | | | | | | | | |
| | 55°C | 95% ~ 96% RH | 5.0 Hr | | | | | | | | | | | |
| 25°C | 90% ~ 95% RH | 3.0 Hr | | | | | | | | | | | | |
| Cycle: 20 Cycles | | | | | | | | | | | | | | |
| | | | | | | | | | | | | | | |
| | | | | | | | | | | | | | | |
| Vibration | Frequency: 10Hz ~ 55Hz , Amplitude: 1.5 mm Direction: X, Y, Z, Time: 2 Hours each | Elec. no variation Appearance no deformation | | | | | | | | | | | | |
| Solderability | Go through real SMT IR-Reflow The profile like our suggest profile. Preheat: 160 ± 10°C (90 sec) Peak: 245 ± 5°C Peak Time: 50 Sec. / up 217°C | Elec. no variation Appearance no deformation | | | | | | | | | | | | |
| Soldering Heat Resistance | Preheat: 160 ± 10°C (90 sec) Solder: Sn / Ag / Cu (Pb Free) Solder Temp.: 260 ± 5°C, Time: 3 ± 1 seconds | Elec. no variation Appearance no deformation | | | | | | | | | | | | |
| Iron Solder Heat Resistance | Solder Temp.: 350 ± 5°C Flux: Rosin, Time: 3 ± 1 seconds | Elec. no variation Appearance no deformation | | | | | | | | | | | | |
| Bending Strength | <p>Unit : mm</p> <p>Force : 1Kg / min.</p> | Elec. no variation Appearance no deformation | | | | | | | | | | | | |
| Flexure Strength | <p>Unit : mm</p> <p>Solder cream 0.15 mm</p> | Elec. no variation Appearance no deformation | | | | | | | | | | | | |
| Terminal Strength | <p>Mount on PCB Solder Cream 0.15 mm</p> <p>Push 10N force to X , Y direction</p> | Elec. no variation Appearance no deformation | | | | | | | | | | | | |
| High-Voltage | 100 V DC between core & winding | Elec. no variation Appearance no deformation | | | | | | | | | | | | |
| Load life | Temperature: 25 ± 3°C Load: Allowed DC Current, Test Time: 96 ± 2 Hours | Elec. no variation Appearance no deformation | | | | | | | | | | | | |



● **TEST EQUIPMENT**

- 1. HP4284A, HP42841A - L, Q, DCR, IDC
- 2. HP8753D Network analyzer – SRF

● **OPERATING & STORAGE CONDITION**

- 1. Operating Temp: -40 ~ +125°C (Including self - temperature rise)
- 2. Storage Temp: a. Product with Taping: -10 ~ 45°C, 50 ~ 60% RH
b. On Board: -40 ~ +125°C
- 3. Storage Life Time: 6 Month (Less than 40°C and 60% RH)

Standard Atmosphere Conditions:

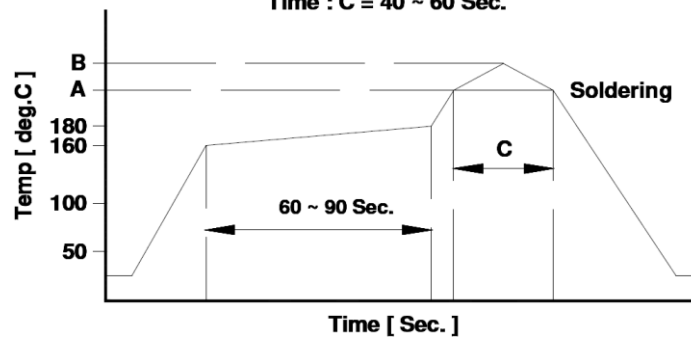
Ambient Temperature 20 ± 15°C; Humidity RH 65 ± 20%

If there may be any doubt on the test result, Measurement shall be made within the following limits:

Ambient Temperature 25 ± 5°C; Humidity RH 75 ± 10%

● **RECOMMEND IR REFLOW CURVE (TIME: Second)**

Lead Free Solder : A = 217 deg.C , B = 245+/-5 deg.C
Time : C = 40 ~ 60 Sec.



Notice: Iron Soldering, Solder < 30 Watt,
Direct touch the terminal x 3 Sec. Max. @ 350°C

● **ATTENTION & CAUTION**

- * Keep out of Splashing water or salt water
- * Avoid Toxic Gas (Hydrogen sulfide, Sulfurous acid, Chlorine, Ammonia)
- * Vibrations or shocks which exceed the specified condition
- * Dew condense
- * Layout near the edge of PCB
- * Over flexure after SMT mounting & PCBA
- * Pin foot or SMD pad solder ability: Pb free type is best within 6 months after delivery
- * Humidity sensitive, IPC/JEDEC J-STD-020 MSL if over Level 1, recommend bake 30mins@150°C before PCBA
- * Caution for human life relative applications: PLS contact & consult with AiT team in design stage.



Care Note for Use:

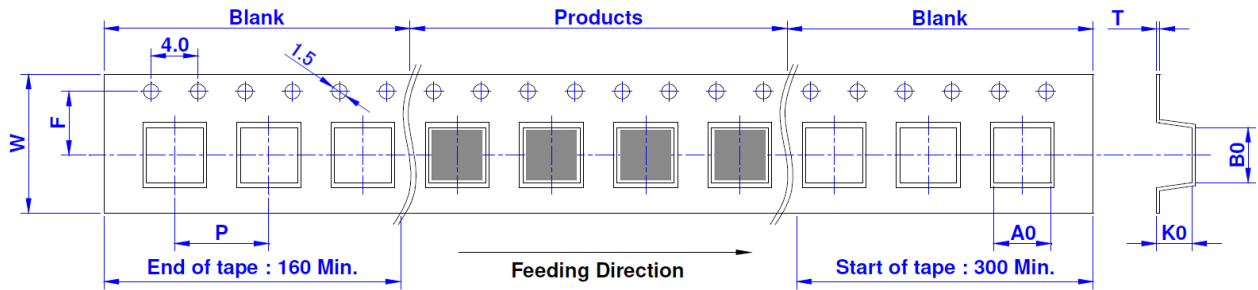
- (1) Storage Condition:
Temperature 25 to 35°C, Humidity 45 to 60% RH
- (2) Use Temperature:
 - a. Minimum Temperature: -40°C Ambient temperature of this product.
 - b. Maximum Temperature: +125°C The value of temperature including ambient and temperature rise of this product.
 - c. Reliability test temperature range from -40 ~ +125°C
 - d. However, this is not meant as temperature grade guarantee for UL.
- (3) Model:
When this product was used in a similar or as new product to the original one, sometimes it might be unable to satisfy the specifications due to difference in condition of usage.
- (4) Drop:
If this product suffered mechanical stress such as drop, characteristics may become poor (due to damage on coil / bobbin / ferrite ... etc.)
Never use such stressed product.

Care Note for Safety:

- (1) Provision to Abnormal Condition:
This product itself does not have any protective function in abnormal condition such as overload, short-circuit and open-circuit conditions, etc.
Therefore, it shall be confirmed from the end product that there is no risk of smoking, fire, dielectric withstand voltage insulation resistance, etc. in abnormal conditions to provide protective devices and /or protection circuit in the end product.
- (2) Temperature Rise:
Temperature rise on this product depends on the installation condition on end products.
It shall be confirmed on the actual end product that temperature rise of this product is within the specified temperature class limit.
- (3) Dielectric Strength:
Dielectric withstanding test with higher voltage than specific value will damage insulating material and shorten its life.
- (4) Water:
This product must not be used in wet condition resulted from water, coffee or any liquid contact because insulation strength becomes very low under such condition.
- (5) Potting:
If this product is potted in some compound, coating material of magnet wire might be occasionally damaged. Please ask us if you intend to pot this product.
- (6) Detergent:
Please consult AiT Semi immediately once under such circumstances because product reliability confirmation etc. is needed when this product come in contact with these chemicals.



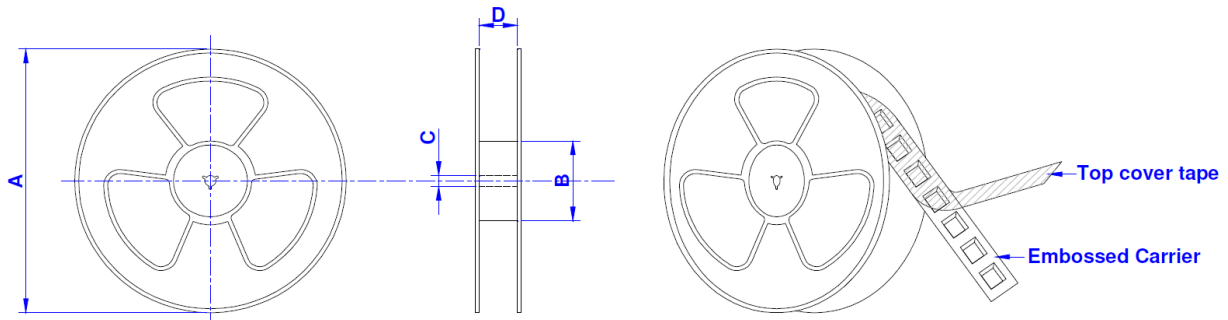
●TAPE DIMENSION: mm



| SIZE/mm | W | P | A0 | B0 | K0 | T | F |
|---------|----|----|-----|-----|-----|------|-----|
| 2510 | 8 | 4 | 2.1 | 2.6 | 1.2 | 0.30 | 3.5 |
| 2512 | 8 | 4 | 2.1 | 2.6 | 1.4 | 0.30 | 3.5 |
| 3010 | 8 | 4 | 3.2 | 3.2 | 1.4 | 0.30 | 3.5 |
| 3012 | 8 | 4 | 3.2 | 3.2 | 1.6 | 0.30 | 3.5 |
| 3015 | 8 | 4 | 3.2 | 3.2 | 1.9 | 0.30 | 3.5 |
| 4010 | 12 | 8 | 4.3 | 4.3 | 1.4 | 0.30 | 5.5 |
| 4018 | 12 | 8 | 4.3 | 4.3 | 2.1 | 0.30 | 5.5 |
| 4020 | 12 | 8 | 4.3 | 4.3 | 2.6 | 0.30 | 5.5 |
| 4030 | 12 | 8 | 4.5 | 4.5 | 3.2 | 0.30 | 5.5 |
| 5014 | 12 | 8 | 5.4 | 5.4 | 1.8 | 0.30 | 5.5 |
| 5020 | 12 | 8 | 5.4 | 5.4 | 2.6 | 0.30 | 5.5 |
| 5040 | 16 | 8 | 5.4 | 5.4 | 4.6 | 0.30 | 5.5 |
| 6012 | 16 | 8 | 6.3 | 6.3 | 1.3 | 0.30 | 7.5 |
| 6020 | 16 | 8 | 6.3 | 6.3 | 2.2 | 0.35 | 7.5 |
| 6028 | 16 | 8 | 6.3 | 6.3 | 3.0 | 0.35 | 7.5 |
| 6040 | 16 | 12 | 6.3 | 6.3 | 4.2 | 0.35 | 7.5 |
| 6045 | 16 | 12 | 6.3 | 6.3 | 4.6 | 0.35 | 7.5 |

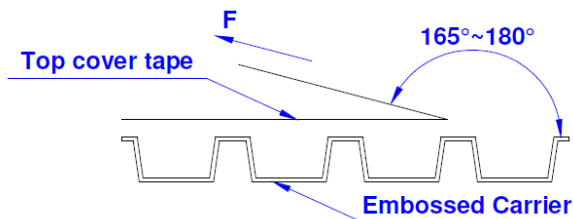


●REEL DIMENSION: mm



| Size / mm | Reel Size | A | B | C | D | QTY / Reel |
|-----------|-------------|-----|-----|----|------|------------|
| 2510 | 7" x 8 mm | 178 | 60 | 13 | 8.5 | 3000 PCS |
| 2512 | 7" x 8 mm | 178 | 60 | 13 | 8.5 | 3000 PCS |
| 2512A | 7" x 8 mm | 178 | 60 | 13 | 8.5 | 2000 PCS |
| 2512L | 7" x 8 mm | 178 | 60 | 13 | 8.5 | 2000 PCS |
| 3010 | 7" x 8 mm | 178 | 60 | 13 | 8.5 | 2000 PCS |
| 3012 | 7" x 8 mm | 178 | 60 | 13 | 8.5 | 2000 PCS |
| 3015 | 7" x 12 mm | 178 | 60 | 13 | 12.5 | 2000 PCS |
| 4010 | 13" x 12 mm | 330 | 100 | 13 | 12.5 | 4500 PCS |
| 4018 | 13" x 12 mm | 330 | 100 | 13 | 12.5 | 3000 PCS |
| 4020 | 13" x 12 mm | 330 | 100 | 13 | 12.5 | 3000 PCS |
| 4030 | 13" x 12 mm | 330 | 100 | 13 | 12.5 | 2000 PCS |
| 5014 | 13" x 12 mm | 330 | 100 | 13 | 12.5 | 3000 PCS |
| 5020 | 13" x 12 mm | 330 | 100 | 13 | 12.5 | 3000 PCS |
| 5040 | 13" x 16 mm | 330 | 100 | 13 | 16.5 | 1500 PCS |
| 6012 | 13" x 16 mm | 330 | 100 | 13 | 16.5 | 3000 PCS |
| 6020 | 13" x 16 mm | 330 | 100 | 13 | 16.5 | 2500 PCS |
| 6028 | 13" x 16 mm | 330 | 100 | 13 | 16.5 | 2000 PCS |
| 6040 | 13" x 16 mm | 330 | 100 | 13 | 16.5 | 1000 PCS |
| 6045 | 13" x 16 mm | 330 | 100 | 13 | 16.5 | 1500 PCS |

●TEARING OFF FORCE :

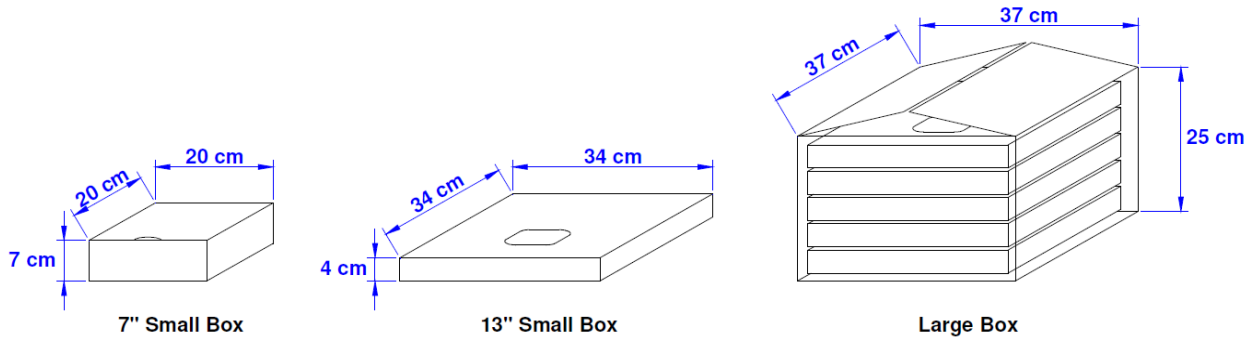


The force for tearing off cover tape is 10 to 130 grams in the arrow direction under the following conditions (referenced ANSI/EIA - 481 - D - 2008 of 4.11 standard).

| Room Temp. (°C) | Room Humidity (%) | Room Atm. (hPa) | Tearing Speed (mm/min) |
|-----------------|-------------------|-----------------|------------------------|
| 5 ~ 35 | 45 ~ 85 | 860~1060 | 300 |



●BOX PACKAGE: cm



| SIZE/mm | Reels in Small Box | Small Box in Large Box |
|---------|--------------------|------------------------|
| 2510 | 5 | 8 |
| 2512 | 5 | 8 |
| 2512A | 5 | 8 |
| 2512L | 5 | 8 |
| 3010 | 5 | 8 |
| 3012 | 5 | 8 |
| 3015 | 4 | 8 |
| 4010 | 2 | 5 |
| 4018 | 2 | 5 |
| 4020 | 2 | 5 |
| 4030 | 2 | 5 |
| 5014 | 2 | 5 |
| 5020 | 2 | 5 |
| 5040 | 1 | 5 |
| 6012 | 1 | 5 |
| 6020 | 1 | 5 |
| 6028 | 1 | 5 |
| 6040 | 1 | 5 |
| 6045 | 1 | 5 |



IMPORTANT NOTICE

AiT Semiconductor Inc. (AiT) reserves the right to make changes to any its product, specifications, to discontinue any integrated circuit product or service without notice, and advises its customers to obtain the latest version of relevant information to verify, before placing orders, that the information being relied on is current.

AiT Semiconductor Inc.'s integrated circuit products are not designed, intended, authorized, or warranted to be suitable for use in life support applications, devices or systems or other critical applications. Use of AiT products in such applications is understood to be fully at the risk of the customer. As used herein may involve potential risks of death, personal injury, or severe property, or environmental damage. In order to minimize risks associated with the customer's applications, the customer should provide adequate design and operating safeguards.

AiT Semiconductor Inc. assumes to no liability to customer product design or application support. AiT warrants the performance of its products of the specifications applicable at the time of sale.