



DESCRIPTION

AP8273 combines a dedicated current mode PWM controller. It is optimized for high performance, low standby power, and cost effective off-line flyback converter applications in 40W~60W range.

AP8273 offers complete protection coverage with automatic self-recovery feature including Cycle-by-Cycle current limiting (OCP), SENSE short protection, SENSE floating protection, over load protection (OLP), and V_{DD} under voltage lockout (UVLO), over temperature protection (OTP), over voltage (fixed or adjustable) protection (OVP).

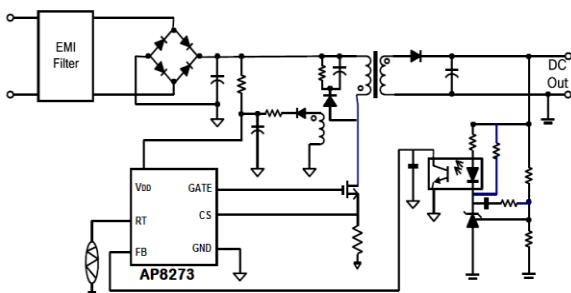
The tone energy at below 20KHz is minimized in the design and audio noise is eliminated during operation.

The AP8273 is available in SOT-26 package.

ORDERING INFORMATION

Package Type	Part Number	
SOT-26 SPQ:3000pcs/Reel	E6	AP8273E6R
		AP8273E6VR
Note	V: Halogen free Package R: Tape & Reel	
AiT provides all RoHS products Suffix "V" means Halogen free Package		

TYPICAL APPLICATION



FEATURES

- Power on Soft Start Reducing MOSFET V_{DS} Stress
- Frequency shuffling for EMI
- Extended Burst Mode Control For Improved Efficiency and Minimum Standby Power Design
- Audio Noise Free Operation
- Fixed 65kHz Switching Frequency
- Internal Synchronized Slope Compensation
- Leading Edge Blanking on Current Sense Input
- Good Protection Coverage with Auto Self Recovery
 - V_{DD} Under Voltage Lockout with Hysteresis(UVLO)
 - Over Temperature Protection (OTP) with auto-recovery
 - Cycle-by-cycle over current threshold setting for constant output power limiting over universal input voltage range
 - Overload Protection (OLP) with auto-recovery
 - Over voltage Protection (OVP) with auto-recovery
 - Adjustable OVP through external Zener

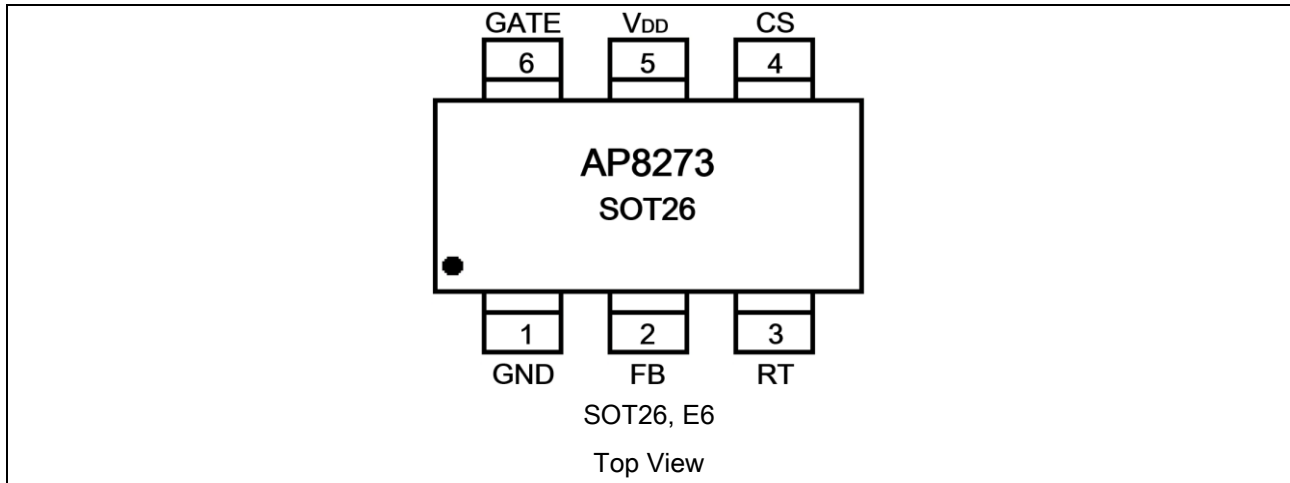
APPLICATION

Offline AC/DC flyback converter for

- AC/DC adapter
- PDA power supplies
- Digital Cameras and Camcorder Adapter
- VCR, SVR, STB, DVD&DVCD Player SMPS
- Set-Top Box Power
- Auxiliary Power Supply for PC and Server
- Open-frame SMPS



PIN DESCRIPTION



Pin #	Symbol	I/O	Function
1	GND	P	Ground
2	FB	I	Feedback input pin. The PWM duty cycle is determined by voltage level into this pin and the current-sense signal at Pin 4.
3	RT	I	Dual function pin. Either connected through a NTC resistor to ground for over temperature shutdown/latch control or connected through Zener to V _{DD} for adjustable over voltage protection
4	CS	I	Current sense input
5	V _{DD}	P	Power Supply
6	GATE	O	Totem-pole gate driver output for power MOSFET



ABSOLUTE MAXIMUM RATINGS

Parameter	Symbol	Value	Unit
DC Supply Voltage	V _{DD}	40	V
Zener Clamp Voltage *	V _{DD}	V _{DD_Clamp} +0.1V	V
DC Clamp Current	V _{DD}	10	mA
FB Input Voltage		-0.3 ~ 7	V
Sense Input Voltage		-0.3 ~ 7	V
RT Input Voltage		-0.3 ~ 7	V
Operating Junction Temperature	T _J	-20 ~ +150	°C
Storage Temperature	T _{STG}	-55 ~ +160	°C

Stress beyond above listed “Absolute Maximum Ratings” may lead permanent damage to the device. These are stress ratings only and operations of the device at these or any other conditions beyond those indicated in the operational sections of the specifications are not implied. Exposure to absolute maximum rating conditions for extended periods may affect device reliability.

* V_{DD_Clamp} has a nominal value of 32V.

RECOMMENDED OPERATING CONDITION

Parameter	Symbol	Min.	Max.	Unit
V _{DD} Supply Voltage	V _{DD}	10	30	V
Operating Ambient Temperature	T _A	-20	85	°C



ELECTRICAL CHARACTERISTICS

T_A = 25°C, V_{DD} = 16V, unless otherwise noted

Parameter	Symbol	Conditions	Min.	Typ.	Max	Unit
Supply Voltage (V_{DD})						
V _{DD} Startup Current	I _{startup}	V _{DD} =11V, Measure Leakage current into V _{DD}		5	20	μA
Operation Current	I _{V_{DD} Operation}	V _{FB} =3V		2		mA
V _{DD} Under Voltage Lockout Enter	UVLO(ON)		8	9	10	V
V _{DD} Under Voltage Lockout Exit (Recovery)	UVLO(OFF)		14.3	15.3	16.3	V
Pull-up PMOS active	V _{pull-up}			13		V
	V _{DD Clamp}	I _{V_{DD}} =10mA	30	32	34	V
Over Voltage Protection Voltage	OVP(ON)	SENSE=0V, FB=3V Ramp up V _{DD} until gate clock is off	24	26	28	V
Latch Release Voltage	V _{latch_release}			5		V
Feedback Input Section (FB Pin)						
V _{FB} Open Loop Voltage	V _{FB_Open}		3.9	4.2		V
PWM input gain ΔV _{FB} / ΔV _{VCS}	A _{vcs}			2		V/V
Max duty cycle @ V _{DD} =14V, V _{FB} =3V, V _{VCS} =0V	Maximum duty cycle		75	80	85	%
The Threshold Enter Green Mode	V _{ref_green}			2		V
The Threshold Exit Burst Mode	V _{ref_burst_H}			1.275		V
The Threshold Enter Burst Mode	V _{ref_burst_L}			1.175		V
FB pin short circuit current	I _{FB_Short}	Short FB pin to GND and measure current		0.4		mA
Power Limiting FB Threshold Voltage	V _{TH_PL}			3.7		V
Power limiting Debounce Time	T _{D_PL}		80	88	96	ms
Input Impedance	Z _{FB_IN}			4		kΩ



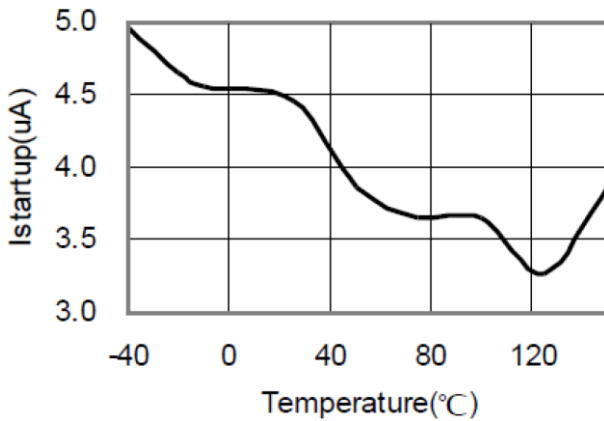
Parameter	Symbol	Conditions	Min.	Typ.	Max.	Unit
Current Sense Input (Sense Pin)						
	Soft start time			4		ms
Leading Edge Blanking Time	T _{blanking}			220		ns
Input Impedance	Z _{SENSE_IN}			40		kΩ
Over Current Detection and Control Delay	T _{D_OC}	From Over Current occurs till the Gate drive output start to turn off		120		nSec
Internal Current Limiting Threshold Voltage	V _{TH_OC}	FB=3.3V		0.75		V
CS voltage clamper	V _{ocp_clamper}			0.9		V
Oscillator						
Normal Oscillation Frequency	F _{OSC}	V _{DD} =14V, FB=3V, CS=0V	60	65	70	kHz
Frequency jittering	Δf _{OSC}			±4		%
Shuffling frequency	F _{shuffling}			32		Hz
Frequency Temperature Stability	Δf _{Temp}			1		%
Frequency Voltage Stability	f _{VDD}			1		%
Burst Mode Base Frequency	F _{Burst}			22		kHz
Gate driver						
Output low level @ V _{DD} =14V, I _o =5mA	V _{OL}				1	V
Output high level @ V _{DD} =14V, I _o =20mA	V _{OH}		6			V
Output Clamp Voltage	V _{clamp}			15		V
Output Rising Time 1V ~ 12V @ C _L =1000pF	T _r			175		ns
Output Falling Time 12V ~ 1V @ C _L =500pF	T _f			85		ns
Over temperature protection						
Output Current of RT Pin	I _{RT}		95	100	105	uA
Threshold Voltage for OTP	V _{OTP}		0.95	1	1.05	V
OTP Debounce Time	T _{d_OTP}			32		Cycle
Float voltage at RT Pin	V _{RT_FL}			2.3		V
External OVP Threshold Voltage	V _{th_OVP}			4		V



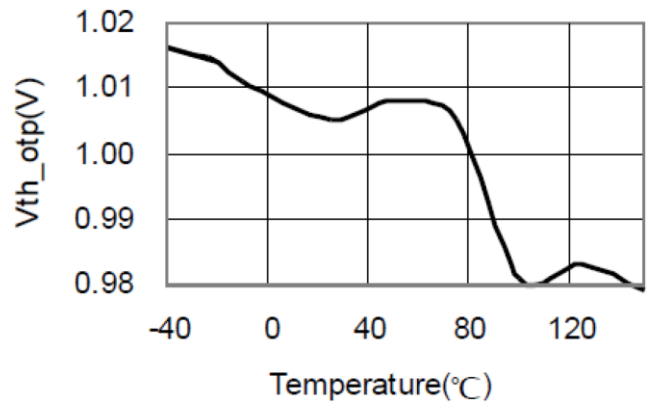
TYPICAL PERFORMANCE CHARACTERISTICS

$V_{DD} = 18V$, $T_A = 25^\circ C$, unless otherwise noted

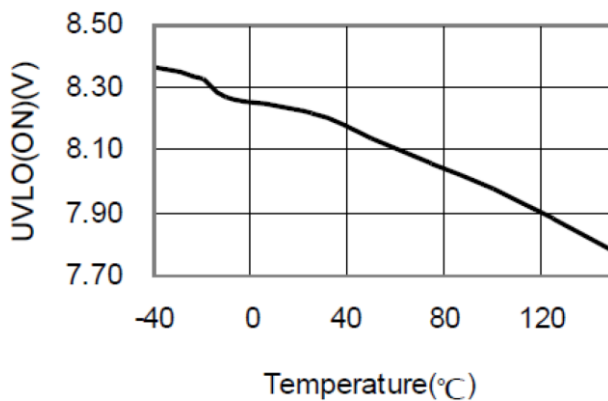
1. $I_{startup}(uA)$ vs. Temperature($^\circ C$)



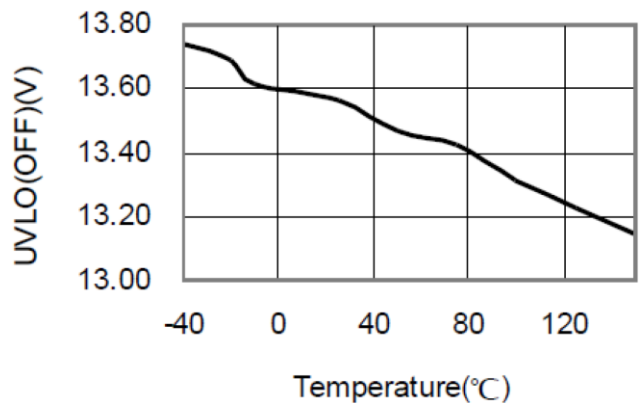
2. $V_{th_otp}(V)$ vs. Temperature($^\circ C$)



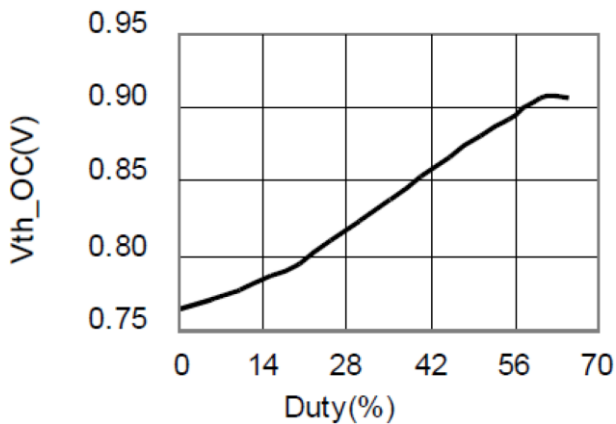
3. $UVLO(ON)(V)$ vs. Temperature($^\circ C$)



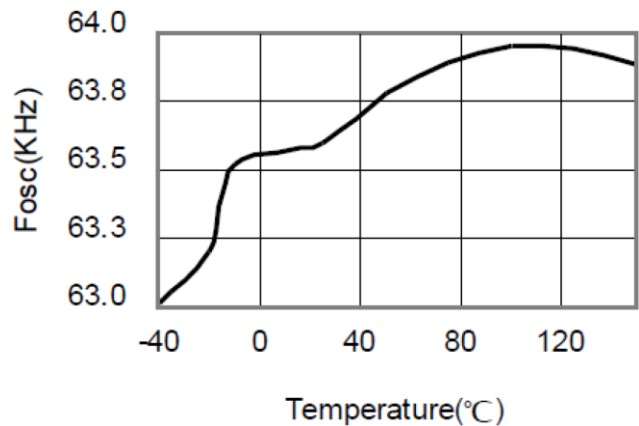
4. $UVLO(OFF)(V)$ vs. Temperature($^\circ C$)



5. $V_{th_OC}(V)$ vs. Duty(%)

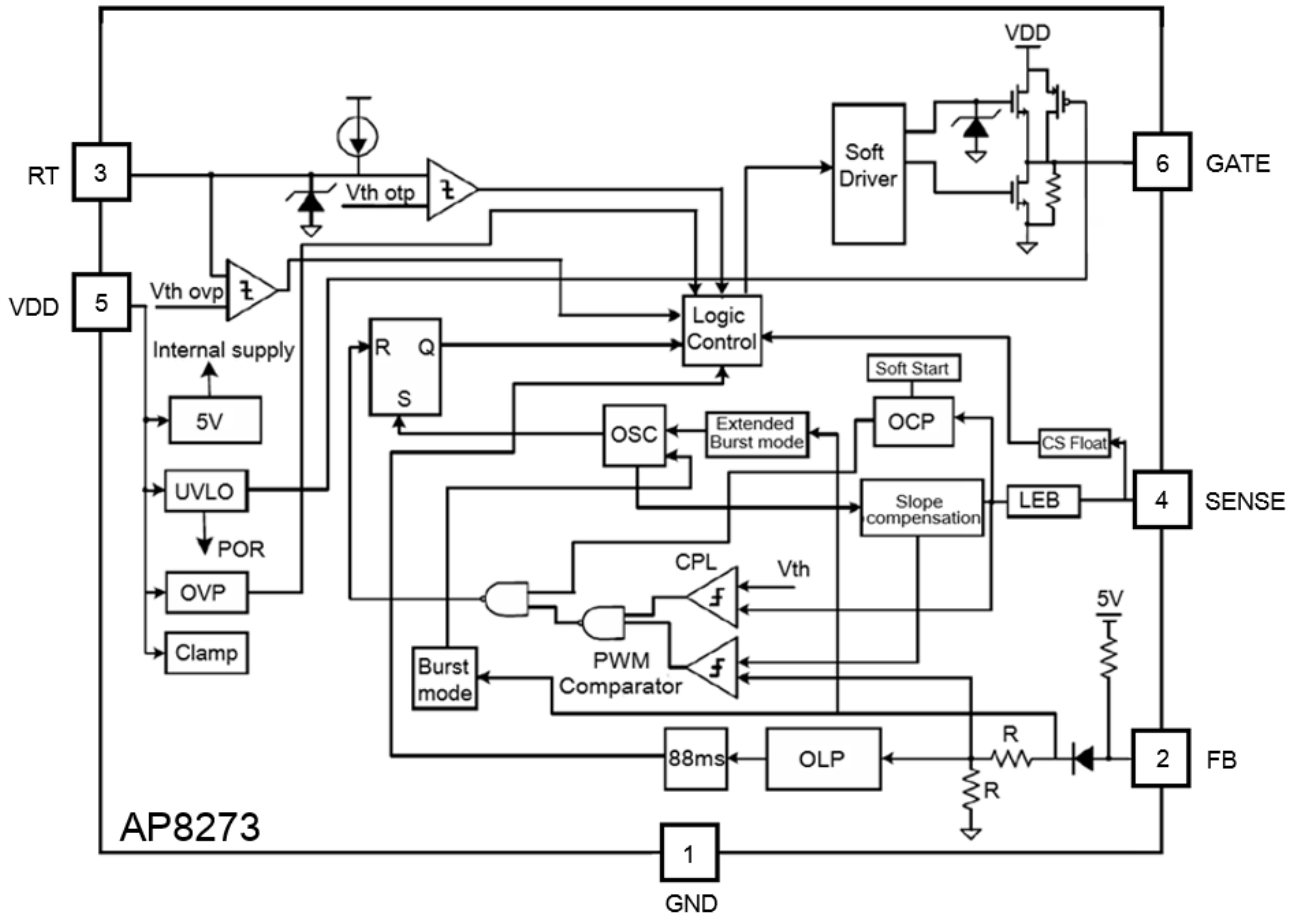


6. $F_{osc}(kHz)$ vs. Temperature($^\circ C$)





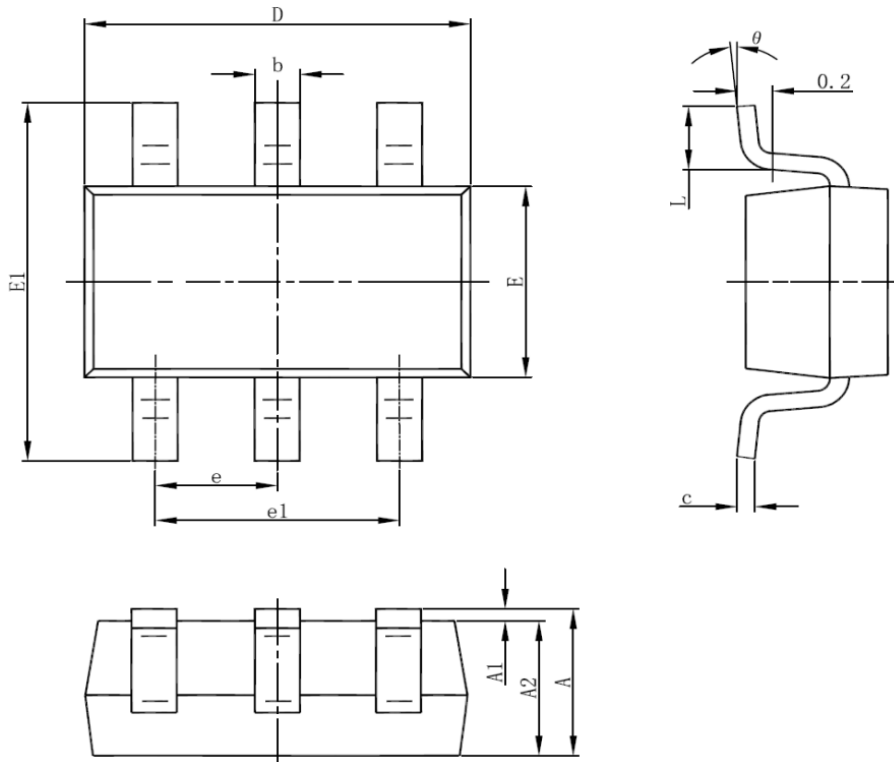
BLOCK DIAGRAM





PACKAGE INFORMATION

Dimension in SOT-26 (Unit: mm)



Symbol	Min.	Max.
A	1.050	1.250
A1	0.000	0.100
A2	1.050	1.150
b	0.300	0.400
c	0.100	0.200
D	2.820	3.020
E	1.500	1.700
E1	2.650	2.950
e	0.950TYP	
e1	1.800	2.000
L	0.700REF	
L1	0.300	0.600
theta	8°TYP	



IMPORTANT NOTICE

AiT Semiconductor Inc. (AiT) reserves the right to make changes to any its product, specifications, to discontinue any integrated circuit product or service without notice, and advises its customers to obtain the latest version of relevant information to verify, before placing orders, that the information being relied on is current.

AiT Semiconductor Inc.'s integrated circuit products are not designed, intended, authorized, or warranted to be suitable for use in life support applications, devices or systems or other critical applications. Use of AiT products in such applications is understood to be fully at the risk of the customer. As used herein may involve potential risks of death, personal injury, or severe property, or environmental damage. In order to minimize risks associated with the customer's applications, the customer should provide adequate design and operating safeguards.

AiT Semiconductor Inc. assumes to no liability to customer product design or application support. AiT warrants the performance of its products of the specifications applicable at the time of sale.