



## DESCRIPTION

The A6303C series are highly precise, low noise positive voltage LDO regulators manufactured using CMOS processes.

The A6303C performance is optimized for battery-powered systems to deliver ultra low noise and low quiescent current. Regulator ground current increases only slightly in dropout, further prolonging the battery life.

The A6303C also compatible with low ESR ceramic capacitors which give added output stability. This stability can be maintained even during load fluctuations due to the excellent transient response of the series.

The A6303C consumes only 0.01 $\mu$ A current in shutdown mode and has fast turn-on time (Typical 50 $\mu$ s). The other features include ultra low dropout voltage, high output accuracy, current limiting protection, and high ripple rejection ratio.

The A6303C is available in SOT-23, SOT-25, SC70-5 and DFN4(1x1) packages

## FEATURES

- Ultra-low Noise
- Ultra-Fast Response in Line/Load Transient
- 0.01 $\mu$ A Standby Current When Shutdown
- Low Dropout: 230mV@300mA
- Wide Operating Voltage Ranges: 2.2V to 5.5V
- Low Temperature Coefficient
- Current Limiting Protection
- Thermal Shutdown Protection
- Only 1 $\mu$ F Output Capacitor Required for Stability
- High Power Supply Rejection Ratio
- Fast output discharge
- Available in SOT-23, SOT-25, SC70-5 and DFN4(1x1) packages

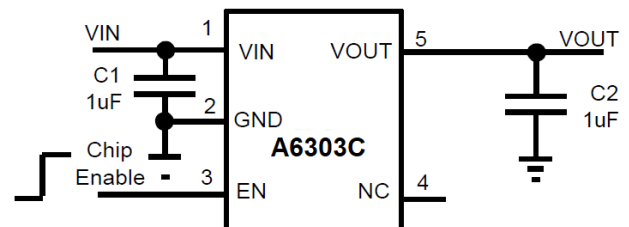
## APPLICATION

- Smart Phones, Mobile Phones, Cordless Phones
- Wireless communication equipment
- Portable games, Portable AV equipment
- Camera and Machine Vision Modules
- Battery-Powered Equipment
- Laptop, Palmtops, Notebook Computers
- Reference Voltage

## ORDERING INFORMATION

Package Type	Part Number	
SOT-23 SPQ: 3,000pcs/Reel	E3	A6303CE3R-XX
		A6303CE3VR-XX
SOT-25 SPQ: 3,000pcs/Reel	E5	A6303CE5R-XX
		A6303CE5VR-XX
SC70-5 SPQ: 3,000pcs/Reel	C5	A6303CC5R-XX
		A6303CC5VR-XX
DFN4(1x1) SPQ: 5,000pcs/Reel	J4	A6303CJ4R-XX
		A6303CJ4VR-XX
Note	XX: Output Voltage 15=1.5V, 33=3.3V V: Halogen free Package R: Tape & Reel	
AiT provides all RoHS products		

## TYPICAL APPLICATION



**Application hints:** Output capacitor (C2 $\geq$  2.2 $\mu$ F) is recommended in A6303C-1.5V and A6303C-1.8V application to assure the stability of circuit.



**PIN DESCRIPTION**

<p style="text-align: center;">Top View</p>			<p style="text-align: center;">Top View</p>	
<p style="text-align: center;">Top View</p>			<p style="text-align: center;">Top View</p>	
Pin #			Symbol	Function
SOT-23	SOT-25 SC70-5	DFN4(1x1)		
1	2	2	GND	Ground
2	5	1	V <sub>OUT</sub>	Output Voltage
3	1	4	V <sub>IN</sub>	Power Input Voltage
-	3	3	EN	Chip Enable Pin, This pin has an internal pull-down resistor
-	4	-	NC	No Connection
-	-	Exposed Pad	-	The exposed pad should be connected to a large ground plane to maximize thermal performance.



## ABSOLUTE MAXIMUM RATING

$V_{IN}$ , Input Supply Voltage	-0.3V ~ +6V	
EN Pin Input Voltage	-0.3V ~ + $V_{IN}$	
Output Voltage	-0.3V ~ $V_{IN}+0.3V$	
Output Current	300mA	
Power Dissipation	SOT-23	250mW
	SOT-25	250mW
	SC70-5	250mW
	DFN4(1x1)	600mW
Maximum Junction Temperature	150°C	
Operating Temperature Range <sup>NOTE1</sup>	-40°C ~ 85°C	
Storage Temperature Range	-65°C ~ 125°C	
Lead Temperature (Soldering, 10s)	300°C	

Stresses beyond may cause permanent damage to the device. These are stress ratings only and functional operation of the device at these or any other conditions beyond those indicated in the Electrical Characteristics are not implied. Exposure to absolute maximum rating conditions for extended periods may affect device reliability.

NOTE1: The A6303C is guaranteed to meet performance specifications from 0°C to 70°C. Specifications over the -40°C to 85°C operating temperature range are assured by design, characterization and correlation with statistical process controls.

## THERMAL RESISTANCE<sup>NOTE2</sup>

Package	$\theta_{JA}$	$\theta_{JC}$
SOT-25	250°C/W	130°C/W
SC70-5	333°C/W	170°C/W

NOTE2: Thermal Resistance is specified with approximately 1 square of 1 oz copper



## ELECTRICAL CHARACTERISTICS<sup>NOTE3</sup>

$V_{IN}=V_{OUT}+1V$ ,  $EN=V_{IN}$ ,  $C_{IN}=C_{OUT}=1\mu F$ ,  $T_A=25^\circ C$ , unless otherwise noted.

Parameter		Symbol	Conditions	Min	Typ	Max	Unit
Input Voltage		$V_{IN}$		2.2	-	5.5	V
Output Voltage Accuracy		$\Delta V_{OUT}$	$V_{IN}=V_{OUT}+1V$ , $I_{OUT}=1mA$	-2	-	+2	%
Current Limit		$I_{LIM}$	$R_{LOAD}=1\Omega$	360	450	-	mA
Quiescent Current		$I_Q$	$V_{EN}>1.2V$ , $I_{OUT}=0mA$	-	70	110	$\mu A$
Dropout Voltage		$V_{DROP}$	$I_{OUT}=200mA$ , $V_{OUT}=3.3V$	-	150	200	mV
			$I_{OUT}=300mA$ , $V_{OUT}=3.3V$	-	230	300	
Line Regulation <sup>NOTE4</sup>		$\Delta V_{LINE}$	$V_{IN}=V_{OUT}+1V$ to 5.5V $I_{OUT}=1mA$	-	0.02	0.17	%/V
Load Regulation <sup>NOTE5</sup>		$\Delta V_{LOAD}$	$1mA < I_{OUT} < 300mA$	-	20	-	mV
Output Voltage Temperature Coefficient <sup>NOTE6</sup>		$TC_{VOUT}$	$I_{OUT}=1mA$	-	$\pm 60$	-	ppm/ $^\circ C$
Standby Current		$I_{STBY}$	$V_{EN}=GND$ , Shutdown	-	0.01	1	$\mu A$
EN Input Bias Current		$I_{IBSD}$	$V_{EN}=GND$ or $V_{IN}$	-	-	2	$\mu A$
EN Input Threshold	Logic Low	$V_{IL}$	$V_{IN}=3V$ to 5.5V, Shutdown	-	-	0.4	V
	Logic High	$V_{IH}$	$V_{IN}=3V$ to 5.5V, Start up	1.2	-	-	
Output Noise Voltage		$e_{NO}$	10Hz to 100kHz, $I_{OUT}=100mA$	-	150	-	$\mu V_{RMS}$
Power Supply Rejection Ratio	f=217Hz	PSRR	$I_{OUT}=10mA$	-	-78	-	dB
	f=1kHz			-	-71	-	
	f=10kHz			-	-53	-	
Thermal Shutdown Temperature		$T_{SD}$	Shutdown, Temp increasing	-	170	-	$^\circ C$
Thermal Shutdown Hysteresis		$T_{SDHY}$		-	30	-	$^\circ C$

NOTE3: Production test at +25 $^\circ C$ . Specifications over the temperature range are guaranteed by design and characterization.

NOTE4: Line regulation is calculated by  $\Delta V_{LINE} = [(V_{OUT1} - V_{OUT2}) / (\Delta V_{IN} \times V_{OUT(normal)})] \times 100$

Where  $V_{OUT1}$  is the output voltage when  $V_{IN}=5.5V$ , and  $V_{OUT2}$  is the output voltage when  $V_{IN}=4.3V$ ,  $\Delta V_{IN}=1.2V$ ,  $V_{OUT(normal)}=3.3V$

NOTE5: Load regulation is calculated by  $\Delta V_{LOAD} = V_{OUT1} - V_{OUT2}$

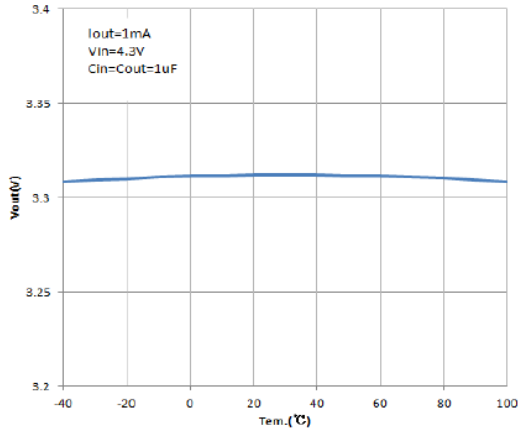
Where  $V_{OUT1}$  is the output voltage when  $I_{OUT}=1mA$ , and  $V_{OUT2}$  is the output voltage when  $I_{OUT}=300mA$ .

NOTE6: The temperature coefficient is calculated by  $TC_{VOUT} = \Delta V_{OUT} / (\Delta T \times V_{OUT})$

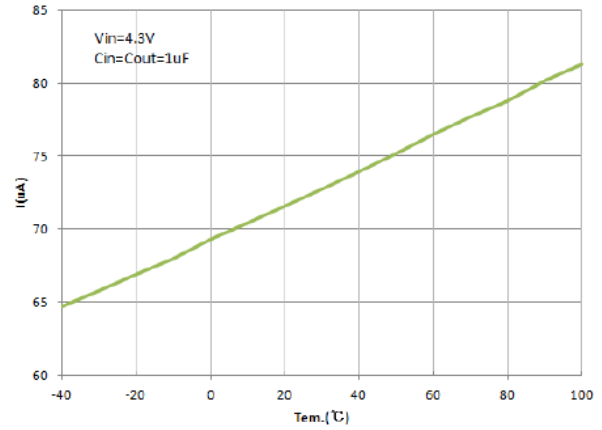


## TYPICAL PERFORMANCE CHARACTERISTICS

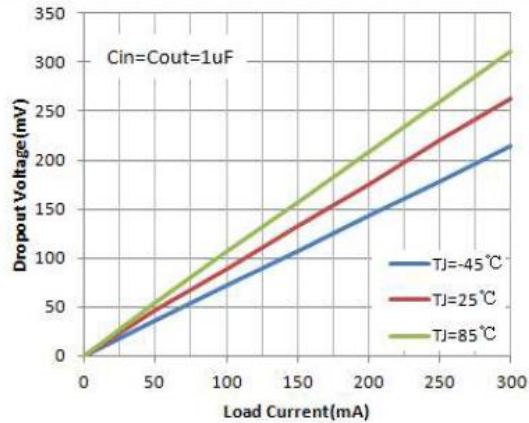
1. Output Voltage vs. Temperature



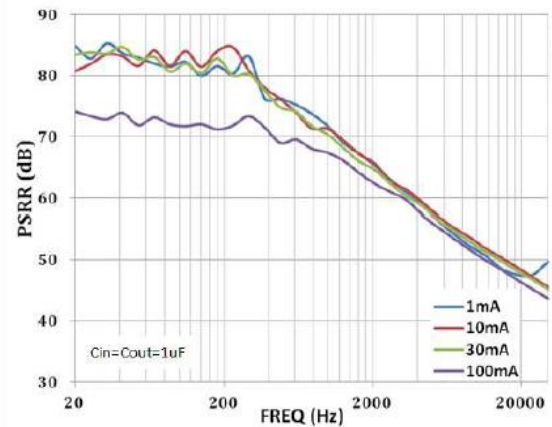
2. Quiescent Current vs. Temperature



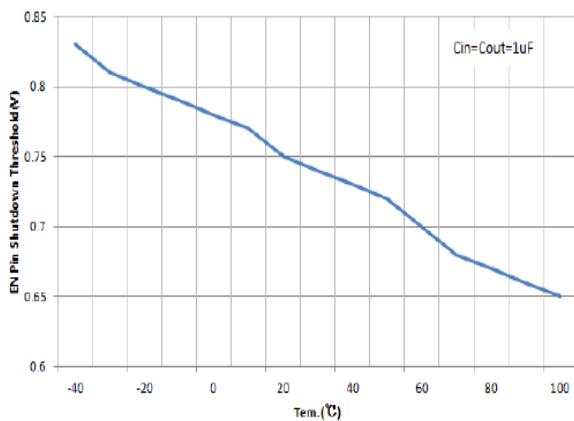
3. Dropout Voltage vs. Load Current



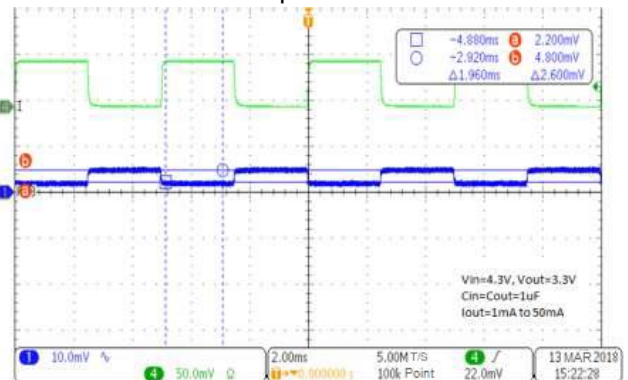
4. PSRR



5. EN Pin Shutdown Threshold vs. Temperature

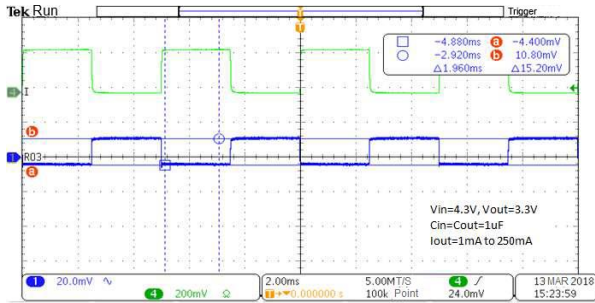


6. Load Transient Response

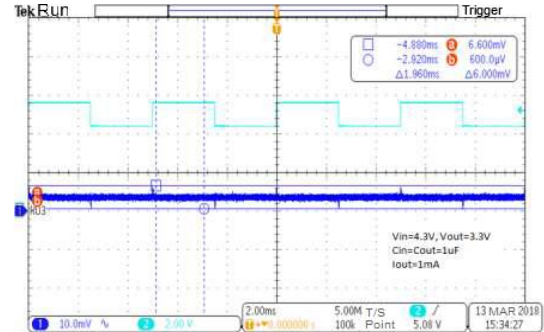




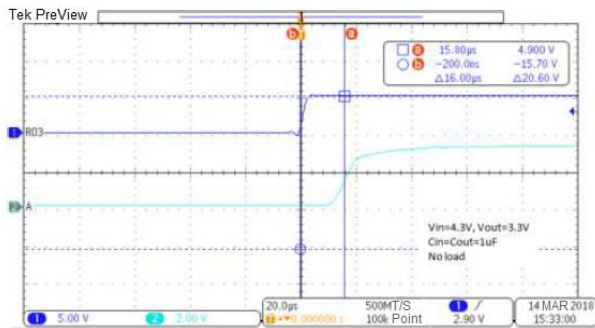
### 7. Load Transient Response



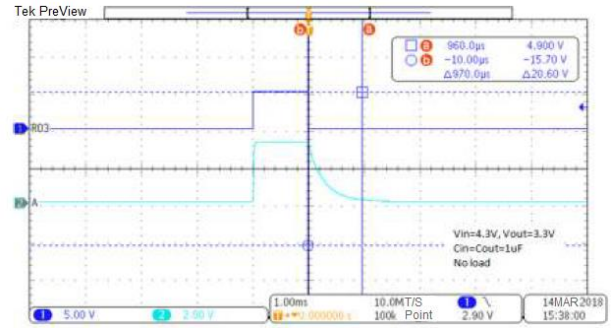
### 8. Line Transient Response



### 9. Start up

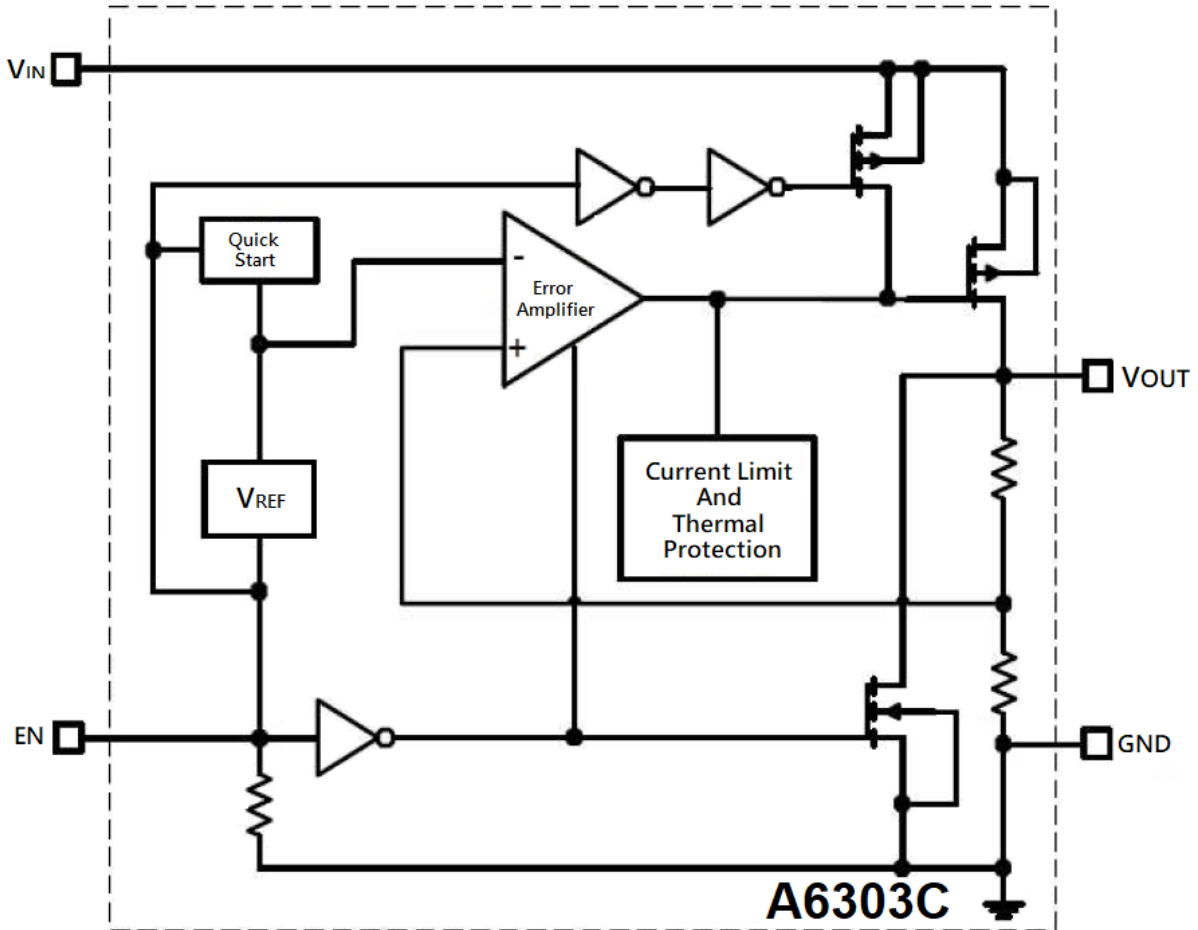


### 10. EN Pin Shutdown Response





**BLOCK DIAGRAM**





## APPLICATIONS INFORMATION

Like any low-dropout regulator, the external capacitors used with the A6303C must be carefully selected for regulator stability and performance. Using a capacitor whose value is  $> 1\mu\text{F}$  on the A6303C input and the amount of capacitance can be increased without limit. The input capacitor must be located a distance of not more than 0.5 inch from the input pin of the IC and returned to a clean analog ground.

Any good quality ceramic or tantalum can be used for this capacitor. The capacitor with larger value and lower ESR (equivalent series resistance) provides better PSRR and line-transient response. The output capacitor must meet both requirements for minimum amount of capacitance and ESR in all LDOs application.

The A6303C is designed specifically to work with low ESR ceramic output capacitor in space-saving and performance consideration. Using a ceramic capacitor whose value is at least  $1\mu\text{F}$  with ESR is  $> 25\text{m}\Omega$  on the A6303C output ensures stability. The A6303C still works well with output capacitor of other types due to the wide stable ESR range. Output capacitor of larger capacitance can reduce noise and improve load transient response, stability, and PSRR. The output capacitor should be located not more than 0.5 inch from the  $V_{\text{OUT}}$  pin of the A6303C and returned to a clean analog ground.

### Enable Function

The A6303C features an LDO regulator enable/ disable function. To assure the LDO regulator will switch on; the EN turn on control level must be greater than 1.2 volts.

The LDO regulator will go into the shutdown mode when the voltage on the EN pin falls below 0.4 volts. For to protect the system, the A6303C have a quick discharge function. If the enable function is not needed in a specific application, it may be tied to  $V_{\text{IN}}$  to keep the LDO regulator in a continuously on state.

### Thermal Considerations

Thermal protection limits power dissipation in A6303C. When the operation junction temperature exceeds  $170^{\circ}\text{C}$ , the OTP circuit starts the thermal shutdown function turn the pass element off. The pass element turns on again after the junction temperature cools by  $30^{\circ}\text{C}$ . For continue operation, do not exceed absolute maximum operation junction temperature  $125^{\circ}\text{C}$ . The power dissipation definition in device is:

$$P_{\text{D(MAX)}} = (T_{\text{J(MAX)}} - T_{\text{A}}) / \theta_{\text{JA}}$$

Where  $T_{\text{J(MAX)}}$  is the maximum operation junction temperature  $125^{\circ}\text{C}$ ,  $T_{\text{A}}$  is the ambient temperature and the  $\theta_{\text{JA}}$  is the junction to ambient thermal resistance. For recommended operating conditions specification of A6303C, where  $T_{\text{J(MAX)}}$  is the maximum junction temperature of the die ( $125^{\circ}\text{C}$ ) and  $T_{\text{A}}$  is the maximum





ambient temperature. The junction to ambient thermal resistance ( $\theta_{JA}$  is layout dependent) for SOT-25 package is 250°C/W, on standard JEDEC 51-3 thermal test board. The maximum power dissipation at  $T_A=25^\circ\text{C}$  can be calculated by following formula:

$$P_{D(\text{MAX})} = (125^\circ\text{C} - 25^\circ\text{C}) / 250 = 400\text{mW (SOT-25)}$$

The maximum power dissipation depends on operating ambient temperature for fixed  $T_{J(\text{MAX})}$  and thermal resistance  $\theta_{JA}$ . It is also useful to calculate the junction of temperature of the A6303C under a set of specific conditions. In this example let the Input voltage  $V_{IN}=3.3\text{V}$ , the output current  $I_O=300\text{mA}$  and the case temperature  $T_A=40^\circ\text{C}$  measured by a thermal couple during operation. The power dissipation for the  $V_{OUT}=2.8\text{V}$  version of the A6303C can be calculated as:

$$P_D = (3.3\text{V} - 2.8\text{V}) \times 300\text{mA} + 3.6\text{V} \times 100\mu\text{A} = 150\text{mW}$$

And the junction temperature,  $T_J$ , can be calculated as follows:

$$\begin{aligned} T_J &= T_A + P_D \times \theta_{JA} = 40^\circ\text{C} + 0.15\text{W} \times 250^\circ\text{C/W} \\ &= 40^\circ\text{C} + 37.5^\circ\text{C} = 77.5^\circ\text{C} < T_{J(\text{MAX})} = 125^\circ\text{C} \end{aligned}$$

For this operating condition,  $T_J$  is lower than the absolute maximum operating junction temperature, 125°C, so it is safe to use the A6303C in this configuration.

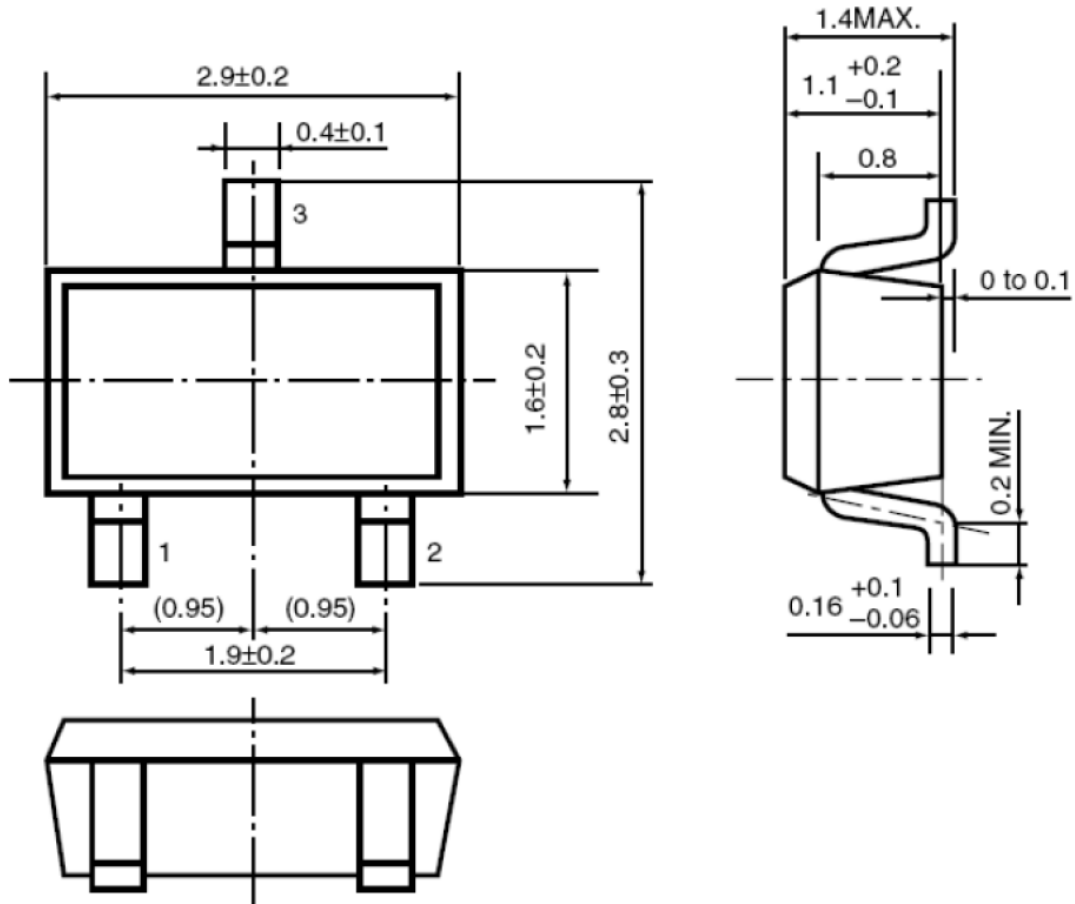
### Layout considerations

To improve ac performance such as PSRR, output noise, and transient response, it is recommended that the PCB be designed with separate ground planes for  $V_{IN}$  and  $V_{OUT}$ , with each ground plane connected only at the GND pin of the device.



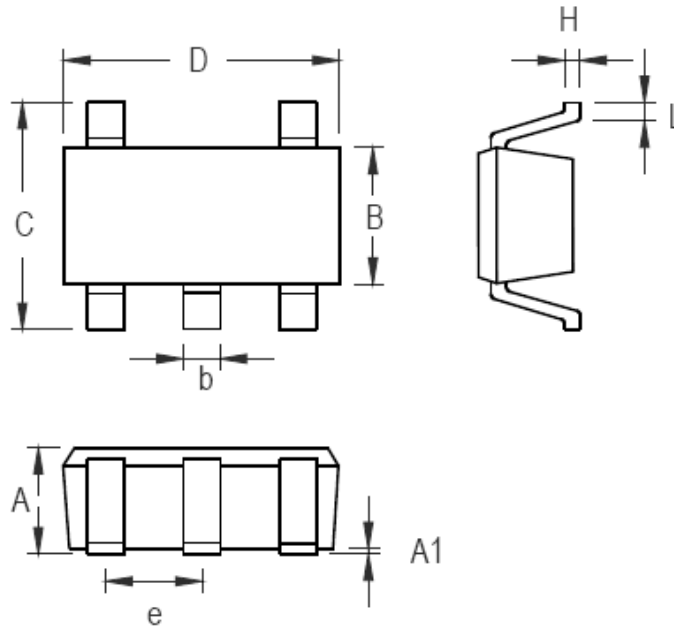
## PACKAGE INFORMATION

Dimension in SOT-23 (Unit: mm)





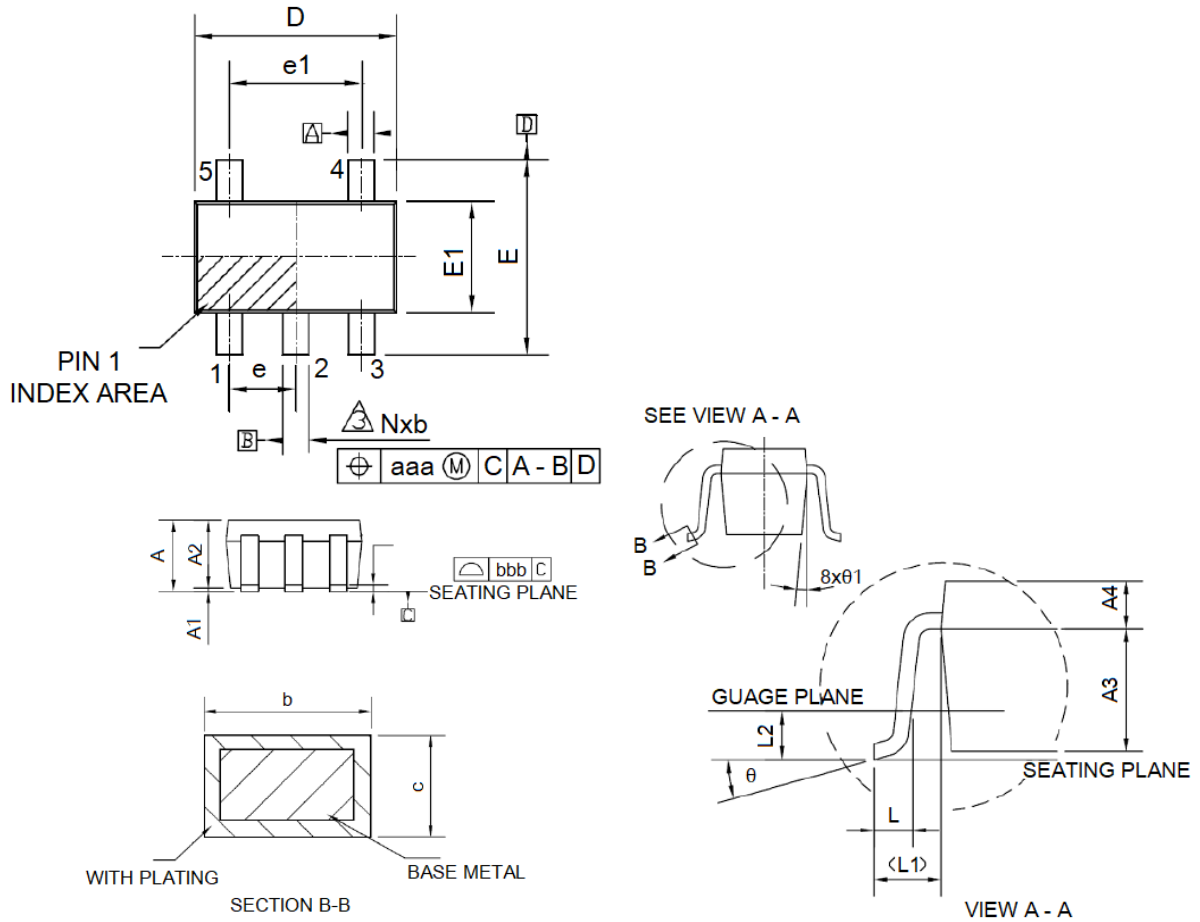
Dimension in SOT-25 (Unit: mm)



Symbol	Millimeters		Inches	
	Min	Max	Min	Max
A	0.889	1.295	0.035	0.051
A1	0.000	0.152	0.000	0.006
B	1.397	1.803	0.055	0.071
b	0.356	0.559	0.014	0.022
C	2.591	2.997	0.102	0.118
D	2.692	3.099	0.106	0.122
e	0.838	1.041	0.033	0.041
H	0.080	0.254	0.003	0.010
L	0.300	0.610	0.012	0.024



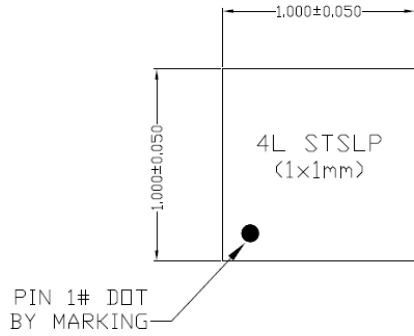
Dimension in SC70-5 (Unit: mm)



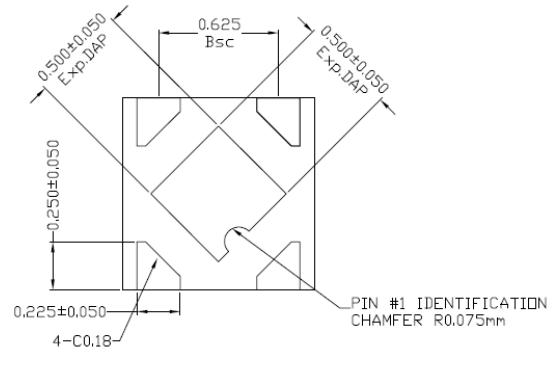
Symbol	Min	Max	Symbol	Min	Max
A	0.80	1.10	E	1.80	2.40
A1	0	0.10	E1	1.15	1.35
A2	0.80	1.00	L	0.10	0.45
A3	0.47	0.57	L1	0.42 REF	
A4	0.33	0.43	L2	0.20 BSC	
b	0.15	0.30	$\theta$	0°	30°
c	0.10	0.25	$\theta$ 1	4°	12°
D	1.85	2.20	aaa	0.10	
e	0.65 BSC		bbb	0.10	
e1	1.30 BSC				



Dimension in DFN4(1x1) (Unit: mm)



TOP VIEW

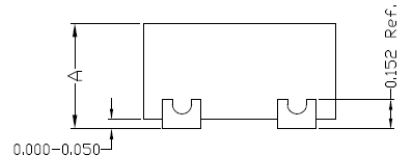


BOTTOM VIEW

NOTE:

1). 'A' DIMENSION AS BELOW TABLE

		STSLP
A	MAX.	0.600
	NOM.	0.550
	MIN.	0.500



SIDE VIEW



## IMPORTANT NOTICE

AiT Semiconductor Inc. (AiT) reserves the right to make changes to any its product, specifications, to discontinue any integrated circuit product or service without notice, and advises its customers to obtain the latest version of relevant information to verify, before placing orders, that the information being relied on is current.

AiT Semiconductor Inc.'s integrated circuit products are not designed, intended, authorized, or warranted to be suitable for use in life support applications, devices or systems or other critical applications. Use of AiT products in such applications is understood to be fully at the risk of the customer. As used herein may involve potential risks of death, personal injury, or server property, or environmental damage. In order to minimize risks associated with the customer's applications, the customer should provide adequate design and operating safeguards.

AiT Semiconductor Inc. assumes to no liability to customer product design or application support. AiT warrants the performance of its products of the specifications applicable at the time of sale.