



## DESCRIPTION

A1118 is a dual channel low-dropout regulator that delivers a maximum current of 1A for each individual output. Typical dropout voltage at 1A load current is 1.3V. Each individual output voltage can be set independently as fixed voltage (e.g 1.2V, 1.8V, 2.5V, 3.3V, 5V) or adjustable output which can provide an output voltage from 1.25 to 12V with two external resistors. The output accuracy of each channel is set within 2% by trimming.

A1118 offers thermal shut down and current limit functions to ensure reliability of device and power system.

Package input/output pin configuration can be customized on demand ( i.e both output can share one input to save one input capacitor and corresponding PCB real estate).

The A1118 is available in PSOP8 Package.

## ORDERING INFORMATION

| Package Type                   | Part Number   |                 |
|--------------------------------|---|-----------------|
| PSOP8<br>SPQ: 2,500pcs/Reel    | MP8   | A1118MP8R-XXYY  |
|                                |   | A1118MP8VR-XXYY |
| Note                           | XX: Output voltage Vout1<br>18=1.8V, AD=Adj<br>YY: Output voltage Vout2<br>33=3.3V<br>V: Halogen free Package<br>R: Tape & Reel |                 |
| AiT provides all RoHS products |   |                 |

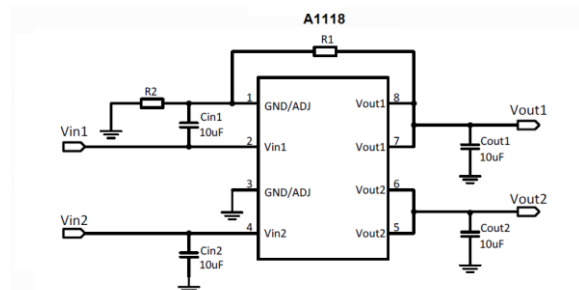
## FEATURES

- Dual channel output with each individual output can be either fixed output version or adjustable version.
- Maximum output current for each channel is 1A
- Range of operation input voltage: Max. 12V
- Standby current of each output: 2mA (typ.)
- Line regulation: 0.1%/V (typ.)
- Load regulation: 10mV (typ.)
- Environment Temperature: -20°C ~85°C
- Compatible with tantalum capacitor, electrolytic capacitor and MLCC.
- Available in PSOP8 Package

## APPLICATION

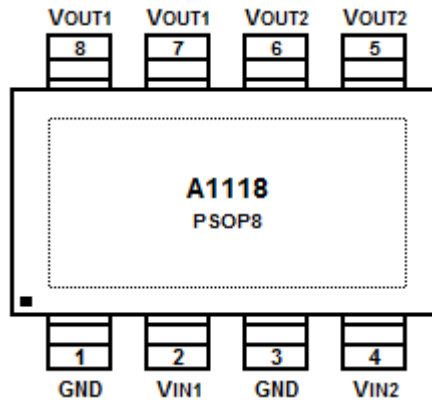
- Power Management for Computer Mother Board, Graphic Card
- LCD Monitor and LCD TV
- DVD Decode Board
- ADSL Modem
- Post Regulators for Switching Supplies

## TYPICAL APPLICATION





## PIN DESCRIPTION



Top View

| Pin # | Symbol            | Function         |
|-------|-------------------|------------------|
| 1     | GND               | Ground           |
| 2     | V <sub>IN1</sub>  | Channel 1 Input  |
| 3     | GND               | Ground           |
| 4     | V <sub>IN2</sub>  | Channel 2 Input  |
| 5     | V <sub>OUT2</sub> | Channel 2 Output |
| 6     | V <sub>OUT2</sub> | Channel 2 Output |
| 7     | V <sub>OUT1</sub> | Channel 1 Output |
| 8     | V <sub>OUT1</sub> | Channel 1 Output |



## ABSOLUTE MAXIMUM RATINGS

|   |               |
|---|---------------|
| Max Input Voltage                               | 12V           |
| T <sub>J</sub> , Operating Junction Temperature | 125°C         |
| T <sub>A</sub> , Ambient Temperature            | -20°C ~ 85°C  |
| θ <sub>JC</sub> , Package Thermal Resistance    | PSOP8 10°C/W  |
| T <sub>S</sub> , Storage Temperature            | -40°C ~ 150°C |
| Lead Temperature & Time                         | 260°C, 10s    |

Stress beyond above listed "Absolute Maximum Ratings" may lead permanent damage to the device. These are stress ratings only and operations of the device at these or any other conditions beyond those indicated in the operational sections of the specifications are not implied. Exposure to absolute maximum rating conditions for extended periods may affect device reliability.

## RECOMMENDED WORKING CONDITIONS

|                     |              |
|---------------------|--------------|
| Input Voltage Range | Max. 12V     |
| Ambient Temperature | -20°C ~ 85°C |



## ELECTRICAL CHARACTERISTICS

\*For each individual channel output

Test Conditions:  $C_{IN}=0.1\mu F$ ,  $C_{OUT}=10\mu F$ ,  $T_A=25^\circ C$ , unless otherwise specified.

| Parameter                           | Symbol              | Conditions                                    | Min. | Typ.  | Max.      | Unit  |              |
|-------------------------------------|---------------------|---|------|-------|-----------|-------|--------------|
| Reference Voltage                   | $V_{REF}$           | $10mA \leq I_{OUT} \leq 1A$ , $V_{IN}=3.25V$  | ADJ  | 1.225 | 1.25      | 1.275 | V            |
| Output Voltage                      | $V_{OUT}$           | $0 \leq I_{OUT} \leq 1A$ , $V_{IN}=3.2V$      | 1.2V | 1.176 | 1.2       | 1.224 | V            |
|                                     |                     | $0 \leq I_{OUT} \leq 1A$ , $V_{IN}=3.8V$      | 1.8V | 1.764 | 1.8       | 1.836 |              |
|                                     |                     | $0 \leq I_{OUT} \leq 1A$ , $V_{IN}=4.5V$      | 2.5V | 2.45  | 2.5       | 2.55  |              |
|                                     |                     | $0 \leq I_{OUT} \leq 1A$ , $V_{IN}=5.3V$      | 3.3V | 3.234 | 3.3       | 3.366 |              |
|                                     |                     | $0 \leq I_{OUT} \leq 1A$ , $V_{IN}=7.0V$      | 5.0V | 4.9   | 5         | 5.1   |              |
| Line Regulation                     | $\Delta V_{OUT}$    | $I_{OUT}=10mA$ , $2.75V \leq V_{IN} \leq 12V$ | ADJ  | -     | 0.1       | 0.2   | %V           |
|                                     |                     | $I_{OUT}=10mA$ , $2.7V \leq V_{IN} \leq 10V$  | 1.2V |       |           |       |              |
|                                     |                     | $I_{OUT}=10mA$ , $3.3V \leq V_{IN} \leq 12V$  | 1.8V |       |           |       |              |
|                                     |                     | $I_{OUT}=10mA$ , $4.0V \leq V_{IN} \leq 12V$  | 2.5V |       |           |       |              |
|                                     |                     | $I_{OUT}=10mA$ , $4.8V \leq V_{IN} \leq 12V$  | 3.3V |       |           |       |              |
|                                     |                     | $I_{OUT}=10mA$ , $6.5V \leq V_{IN} \leq 12V$  | 5.0V |       |           |       |              |
| Load Regulation                     | $\Delta V_{OUT}$    | $V_{IN}=2.75V$ , $10mA \leq I_{OUT} \leq 1A$  | ADJ  | -     | 10        | 30    | mV           |
|                                     |                     | $V_{IN}=2.7V$ , $10mA \leq I_{OUT} \leq 1A$   | 1.2V |       |           |       |              |
|                                     |                     | $V_{IN}=3.3V$ , $10mA \leq I_{OUT} \leq 1A$   | 1.8V |       |           |       |              |
|                                     |                     | $V_{IN}=4.0V$ , $10mA \leq I_{OUT} \leq 1A$   | 2.5V |       |           |       |              |
|                                     |                     | $V_{IN}=4.8V$ , $10mA \leq I_{OUT} \leq 1A$   | 3.3V |       |           |       |              |
|                                     |                     | $V_{IN}=6.5V$ , $10mA \leq I_{OUT} \leq 1A$   | 5.0V |       |           |       |              |
| Dropout Voltage                     | $V_{DROP}$          | $I_{OUT}=100mA$                               |      | -     | 1.23      | 1.3   | V            |
|                                     |                     | $I_{OUT}=1A$                                  |      | -     | 1.3       | 1.5   |              |
| Current Limit                       | $I_{limit}$         | $V_{IN}-V_{OUT}=2V$ , $T_J=25^\circ C$        |      | 1     |           |       | A            |
| Minimum Load Current                | $I_{min}$           |   | ADJ  | -     | 2         | 10    | mA           |
| Quiescent Current                   | $I_Q$               | $V_{IN}=10V$                                  | 1.2V | -     | 2         | 5     | mA           |
|                                     |                     | $V_{IN}=12V$                                  | 1.8V |       |           |       |              |
|                                     |                     | $V_{IN}=12V$                                  | 2.5V |       |           |       |              |
|                                     |                     | $V_{IN}=12V$                                  | 3.3V |       |           |       |              |
|                                     |                     | $V_{IN}=12V$                                  | 5.0V |       |           |       |              |
| Adjust Pin Current                  | $I_{ADJ}$           | $V_{IN}=5V$ , $10mA \leq I_{OUT} \leq 1A$     | ADJ  | -     | 55        | 120   | $\mu A$      |
| $I_{adj}$ change                    | $I_{CHANGE}$        | $V_{IN}=5V$ , $10mA \leq I_{OUT} \leq 1A$     | ADJ  | -     | 0.2       | 10    | $\mu A$      |
| Temperature Coefficient             | $\Delta V/\Delta T$ |   |      | -     | $\pm 100$ | -     | ppm          |
| Junction-Ambient Thermal Resistance | $\theta_{JA}$       | PSOP8   |      | -     | 63        | -     | $^\circ C/W$ |

NOTE1: All test are conducted under ambient temperature  $25^\circ C$  and within a short period of time 20ms

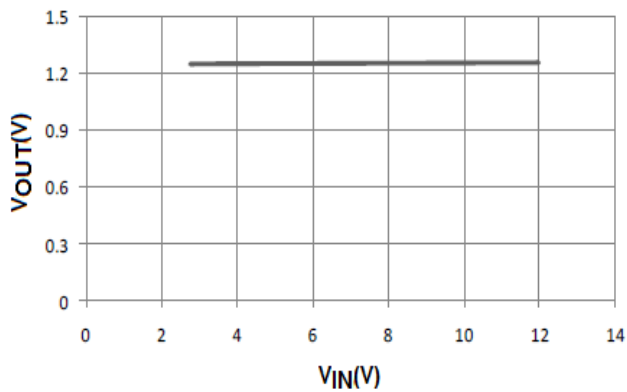
NOTE2: Load current smaller than minimum load current of A1118-ADJ will lead to unstable or oscillation output.



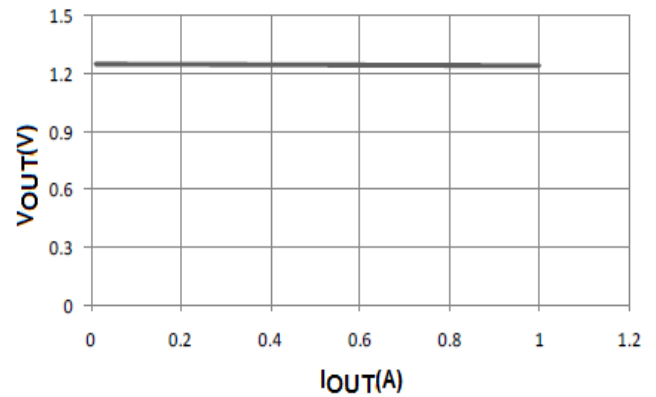
## TYPICAL PERFORMANCE CHARACTERISTICS

T=25°C unless specified.

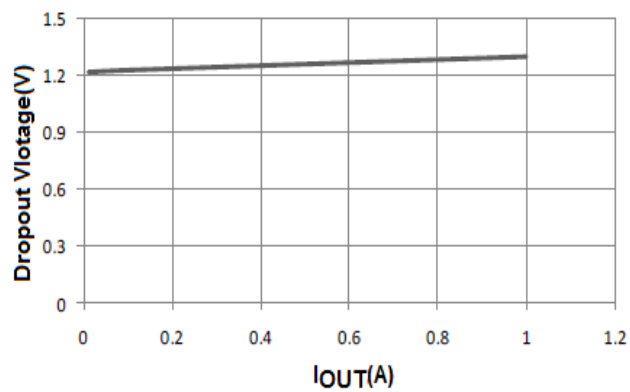
1. Line Regulation  
A1118-ADJ  $V_{OUT}$  Vs.  $V_{IN}$



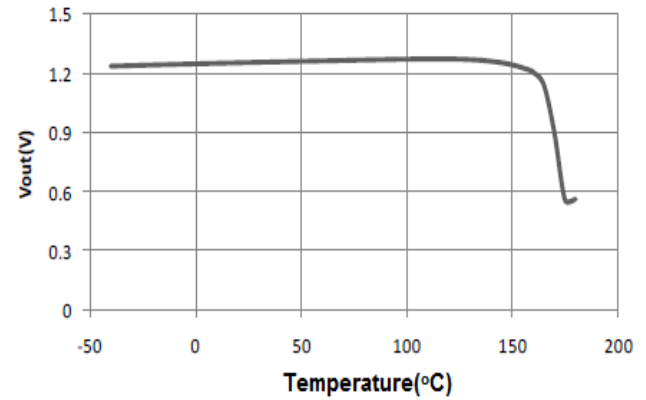
2. Load Regulation  
A1118-ADJ  $V_{OUT}$  Vs.  $I_{OUT}$



3. Dropout Voltage  
A1118-ADJ Dropout Vs.  $I_{OUT}$

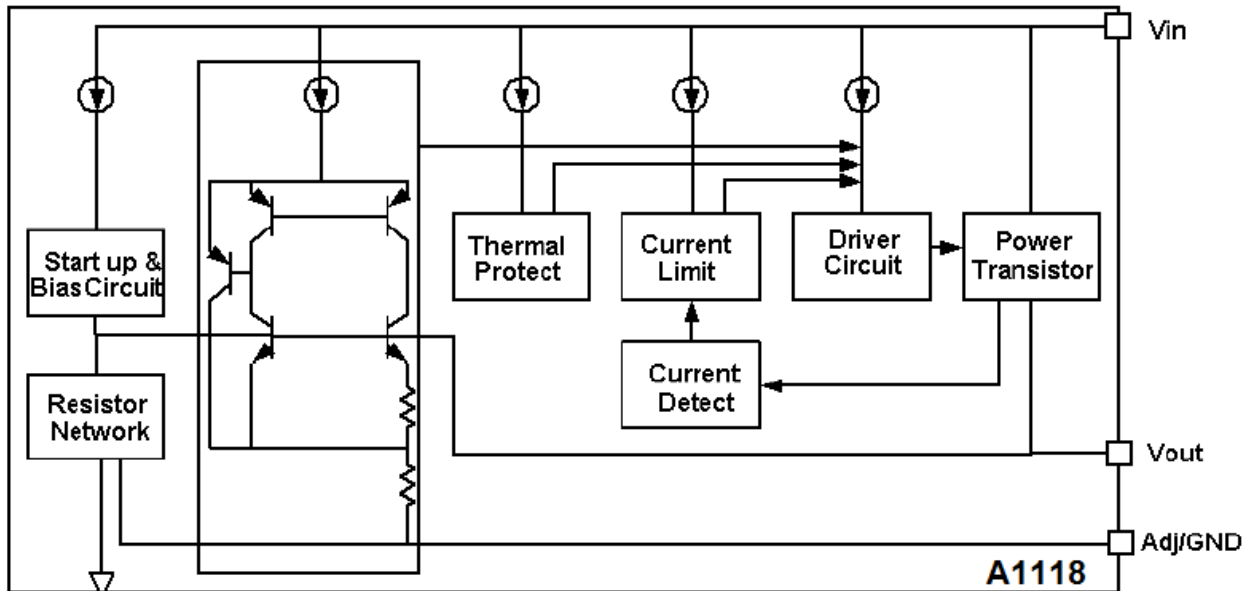


4. Thermal performance with OTP  
A1118-ADJ  $V_{OUT}$  Vs. Temp





**BLOCK DIAGRAM**





## DETAILED DESCRIPTION

A1118 is a series of dual channel low-dropout regulator that delivers a maximum current of 1A for each individual output. Typical dropout voltage at 1A load current is 1.3V. Each individual output voltage can be set independently as fixed voltage (i.e. 1.2V, 1.8V, 2.5V, 3.3V, 5V) or adjustable output which can provide an output voltage ranges from 1.25 to 12V with two external resistors. The output accuracy of each channel is set within 2% by trimming.

The device has build-in modules including start-up circuit, bias circuit, bandgap, thermal shutdown, current limit, power transistors and driver circuit. Thermal shut down and current limit functions ensure reliability of device and power system.

The bandgap module provides stable reference voltage whose temperature coefficient is compensated by careful design considerations. The temperature coefficient is under 100ppm/°C. The accuracy of output voltage is guaranteed by trimming technique.

Package input/output pin configuration can be customized on demand ( i.e both output can share one input to save one input capacitor and corresponding PCB real estate).

## TYPICAL APPLICATION

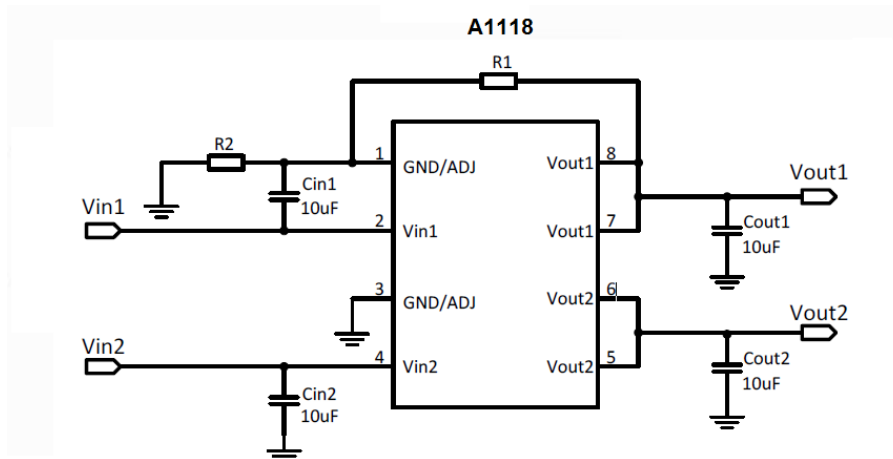


Figure 1 Typical Application Schematic of A1118



A1118 has both fixed voltage version (1.2V, 1.8V, 2.5V, 3.3V, 5V ) and adjustable voltage version. The input and output capacitors of each channel can be either tantalum, electrolytic or ceramic capacitor.

Figure 1 shows both fixed voltage and adjustable voltage application schematic. Channel 1 (designated as pin 1\2\7\8) is the schematic of adjustable version application. Channel 2 (designated as pin 3\4\5\6) is a typical application of fixed voltage. The adjustable version provides a 1.25V reference voltage with regard to its ADJ pin (shown as PIN 7\8 as its output and PIN 1 as its adjustable pin in Fig.1). The output voltage of adjustable version follows the equation:

$$V_{OUT}=1.25(1+R_2/R_1)+I_{ADJ} \times R_2.$$

We can ignore  $I_{ADJ}$  because  $I_{ADJ}$  (about 50uA) is much less than the current of R1 ( in the order of several milliamps).

1. To meet the minimum load current (>10mA) requirement, R1 is recommended to be 125ohm or lower.
2. Using a bypass capacitor ( $C_{ADJ}$ ) between the ADJ pin and ground can improve ripple rejection. This bypass capacitor prevents ripple from being amplified as the output voltage is increased. The impedance of  $C_{ADJ}$  should be less than R1 to prevent ripple from being amplified. As R1 is normally in the range of 100Ω~500Ω, the value of  $C_{ADJ}$  should satisfy this equation:  $1/(2\pi \times f_{ripple} \times C_{ADJ}) < R1$ .

## THERMAL CONSIDERATIONS

Thermal consideration has to be taken account into to ensure proper function of the device. Power dissipation of A1118 can be calculated as

$$\text{Power Dissipation} = (V_{IN1}-V_{OUT1}) \times I_{OUT1} + (V_{IN2}-V_{OUT2}) \times I_{OUT2}$$

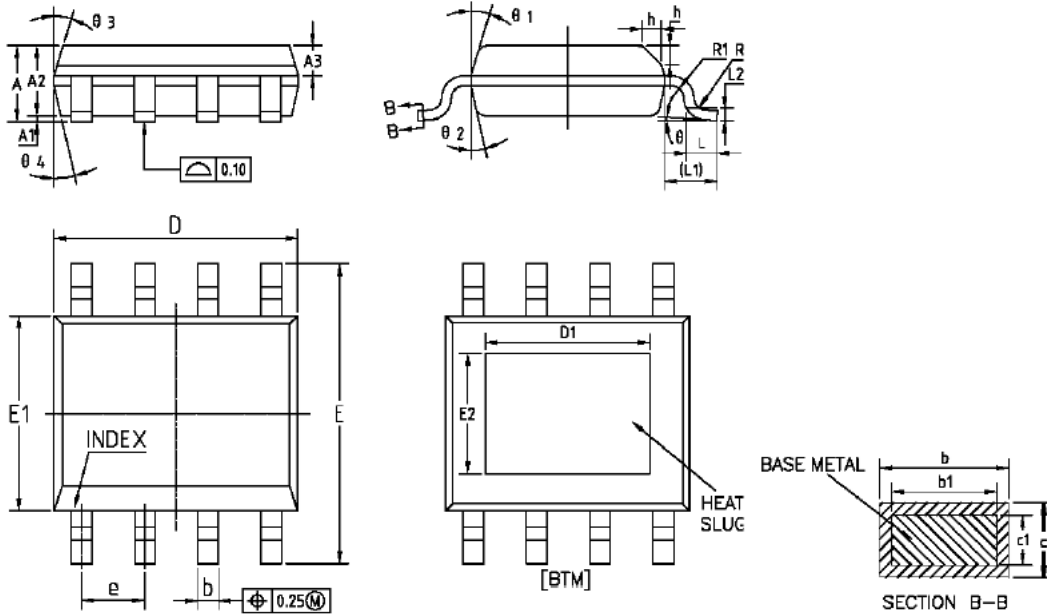
For proper function and safe operation of the device, power dissipation is recommended to be limited within 2W.





## PACKAGE INFORMATION

Dimension in PSOP8 (Unit: mm)



| Symbol | Min     | Nom  | Max  |
|--------|---------|------|------|
| A      | 1.35    | 1.55 | 1.75 |
| A1     | 0.00    | 0.10 | 0.15 |
| A2     | 1.25    | 1.40 | 1.65 |
| A3     | 0.50    | 0.60 | 0.70 |
| b      | 0.38    | -    | 0.51 |
| b1     | 0.37    | 0.42 | 0.47 |
| c      | 0.17    | -    | 0.25 |
| c1     | 0.17    | 0.20 | 0.23 |
| D      | 4.80    | 4.90 | 5.00 |
| D1     | 3.10    | 3.30 | 3.50 |
| E      | 5.80    | 6.00 | 6.20 |
| E1     | 3.80    | 3.90 | 4.00 |
| E2     | 2.20    | 2.40 | 2.60 |
| e      | 1.27BSC |      |      |
| L      | 0.45    | 0.60 | 0.80 |
| L1     | 1.04REF |      |      |
| L2     | 0.25BSC |      |      |
| R      | 0.07    | -    | -    |
| R1     | 0.07    | -    | -    |
| h      | 0.30    | 0.40 | 0.50 |
| θ      | 0°      | -    | 8°   |
| θ1     | 15°     | 17°  | 19°  |
| θ2     | 11°     | 13°  | 15°  |
| θ3     | 15°     | 17°  | 19°  |
| θ4     | 11°     | 13°  | 15°  |



## IMPORTANT NOTICE

AiT Semiconductor Inc. (AiT) reserves the right to make changes to any its product, specifications, to discontinue any integrated circuit product or service without notice, and advises its customers to obtain the latest version of relevant information to verify, before placing orders, that the information being relied on is current.

AiT Semiconductor Inc.'s integrated circuit products are not designed, intended, authorized, or warranted to be suitable for use in life support applications, devices or systems or other critical applications. Use of AiT products in such applications is understood to be fully at the risk of the customer. As used herein may involve potential risks of death, personal injury, or server property, or environmental damage. In order to minimize risks associated with the customer's applications, the customer should provide adequate design and operating safeguards.

AiT Semiconductor Inc. assumes to no liability to customer product design or application support. AiT warrants the performance of its products of the specifications applicable at the time of sale.